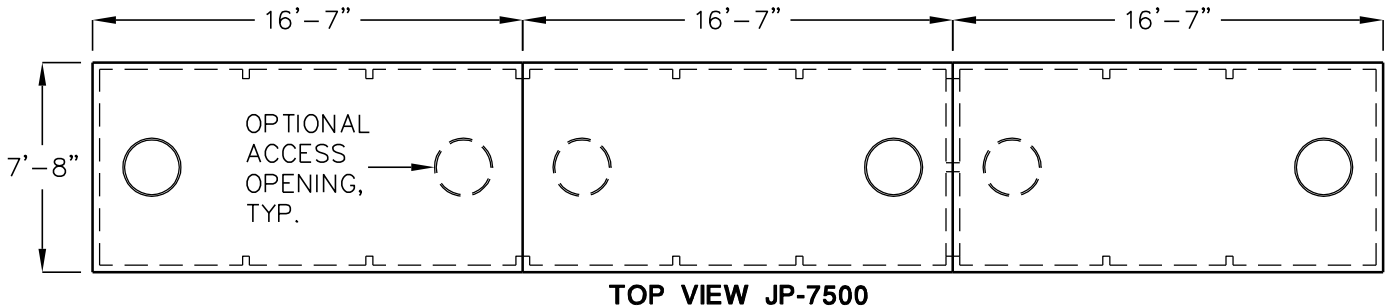
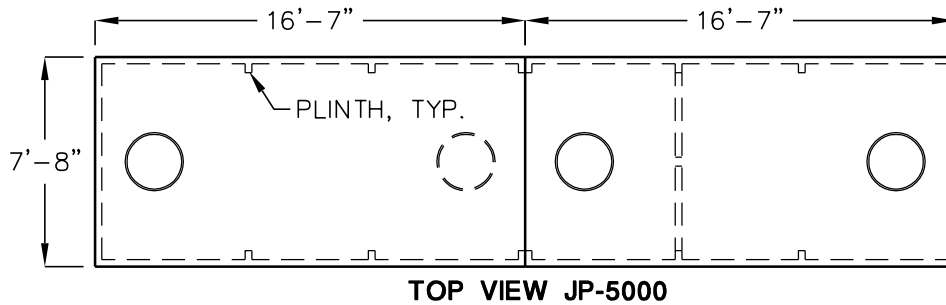
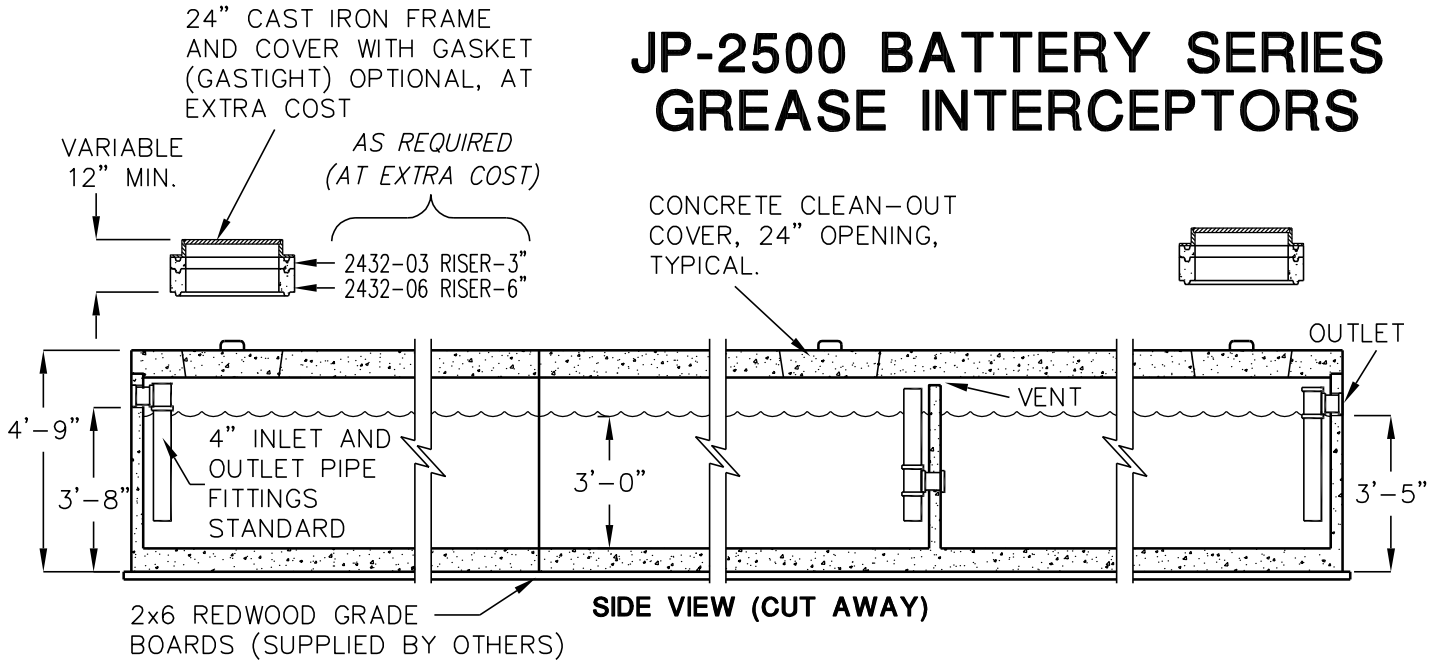


# JP-2500 BATTERY SERIES GREASE INTERCEPTORS



MODEL NO.	SECTIONS	INSTALLATION LENGTH	LIQUID CAPACITY
2xJP-2500	2 JP-2500 BATTERY TANKS	33'-4"	5000 GALLONS
3xJP-2500	3 JP-2500 BATTERY TANKS	50'-1"	7500 GALLONS
4xJP-2500	4 JP-2500 BATTERY TANKS	66'-10"	10000 GALLONS
5xJP-2500	5 JP-2500 BATTERY TANKS	83'-7"	12500 GALLONS

BOX DESIGN LOAD: H-20 TRAFFIC FROM 1' TO 5' OF SOIL COVER.

FOR COMPLETE DESIGN AND PRODUCT INFORMATION CONTACT JENSEN PRECAST.

**DRAWING IS  
NOT TO SCALE**