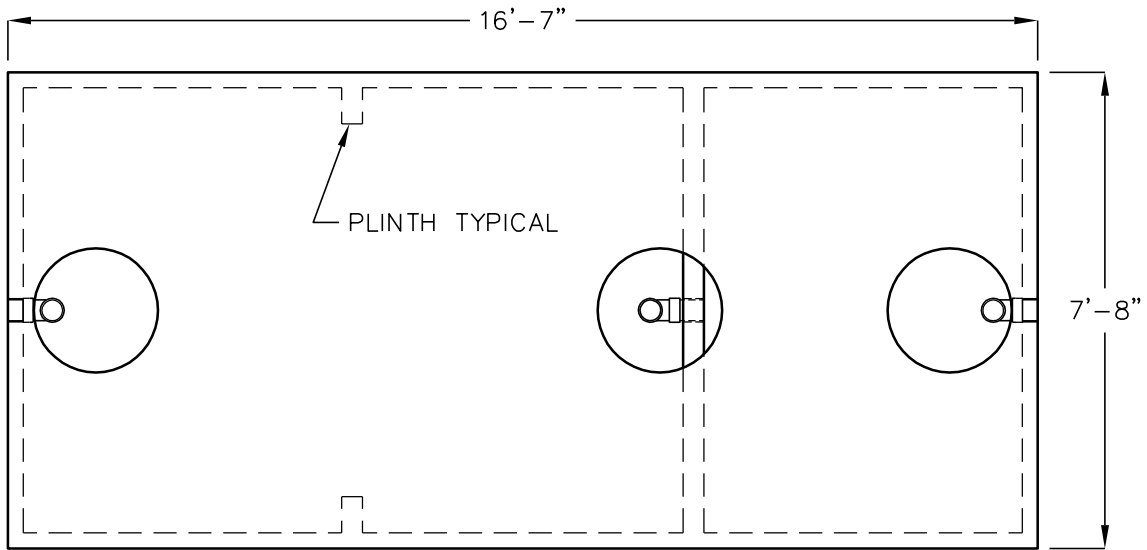


5000 GALLON GREASE INTERCEPTOR

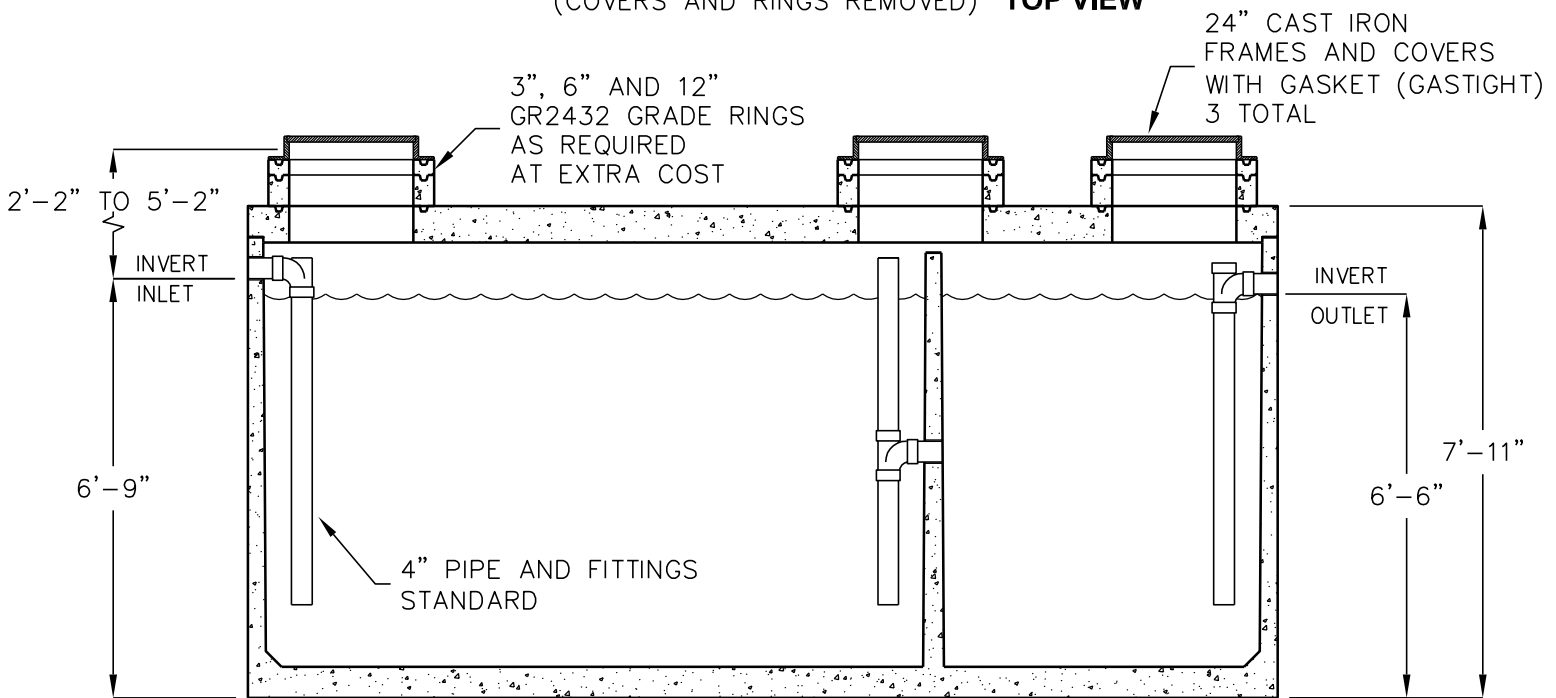
MODEL JZ5000EBE-G

LISTED BY UPC®

NAPA AND PLACER COUNTY,
CITY OF ROSEVILLE



(COVERS AND RINGS REMOVED) **TOP VIEW**



SIDE SECTION VIEW

OPERATING CAPACITY: 5,000 GALLONS.

DESIGN LOAD: H-20 TRAFFIC WITH DRY SOIL CONDITIONS
(WATER LEVEL BELOW TANK) AND 1'-4' EARTH COVER.

SUITABLE SUB-BASE BEDDED WITH GRANULAR MATERIAL
SHALL BE PREPARED TO HANDLE ANTICIPATED LOADS.

FOR COMPLETE DESIGN AND PRODUCT INFORMATION
CONTACT JENSEN PRECAST.

| |
|--|
| <p>MINIMUM EXCAVATION 8'-8" x 17'-7" x REQ'D DEPTH</p> |
|--|