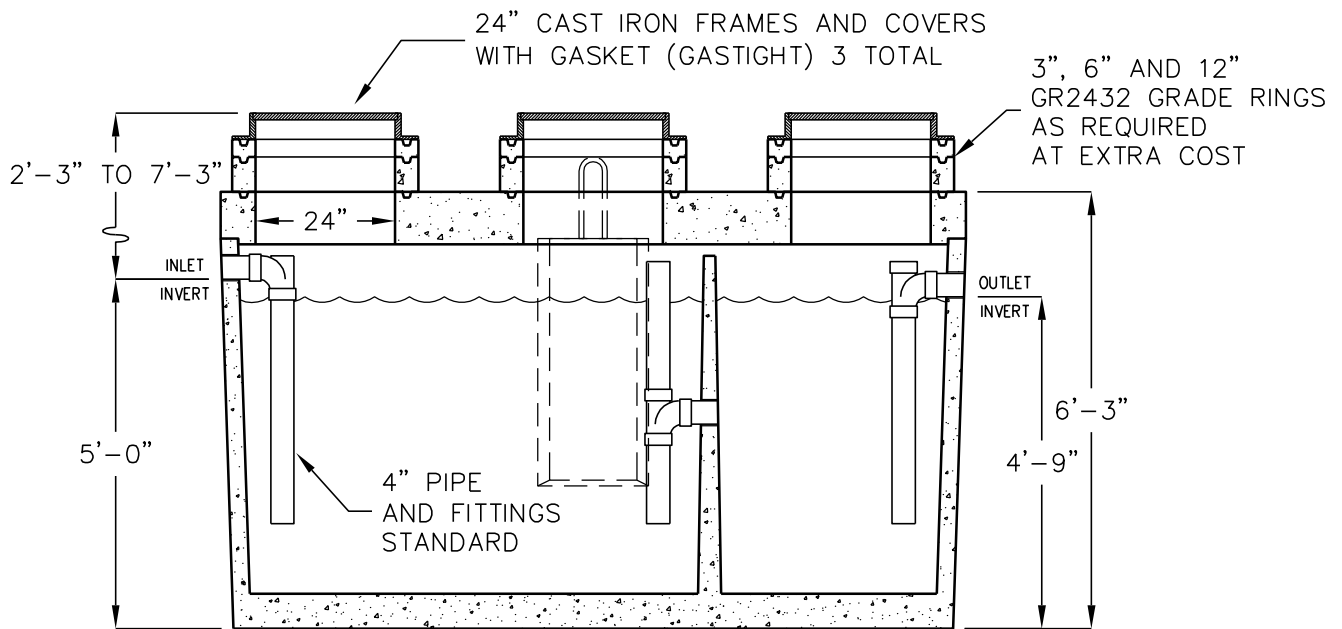
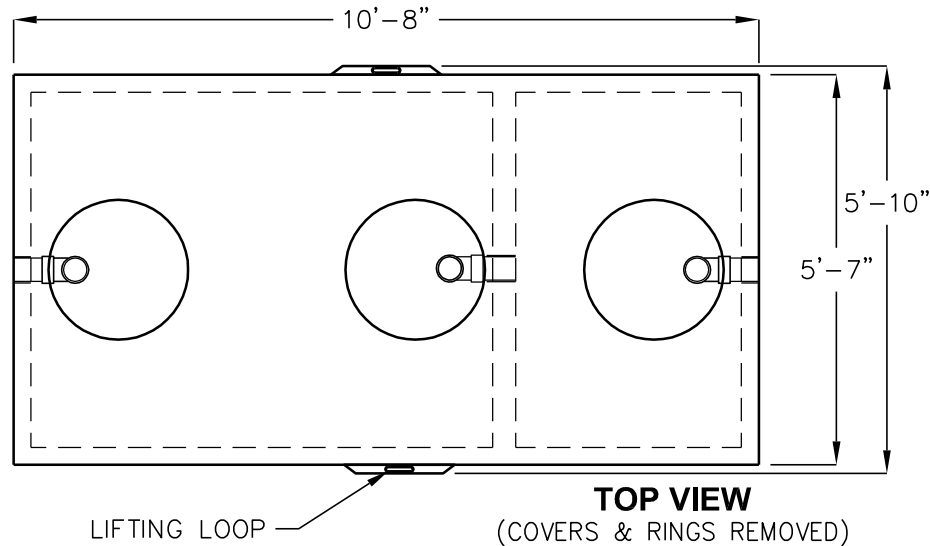


1500 GALLON GREASE INTERCEPTOR

MODEL JP1500ECE-G

LISTED BY UPC®

NAPA AND PLACER COUNTY,
CITY OF ROSEVILLE



SIDE SECTION VIEW

OPERATING CAPACITY: 1,500 GALLONS.

DESIGN LOAD: H-20 TRAFFIC WITH DRY SOIL CONDITIONS
(WATER LEVEL BELOW TANK) AND 1'-6' EARTH COVER.

SUITABLE SUB-BASE BEDDED WITH GRANULAR MATERIAL SHALL BE
PREPARED TO HANDLE ANTICIPATED LOADS.

FOR COMPLETE DESIGN AND PRODUCT INFORMATION
CONTACT JENSEN PRECAST.

MINIMUM EXCAVATION
6'-10" x 11'-8"
x REQ'D DEPTH