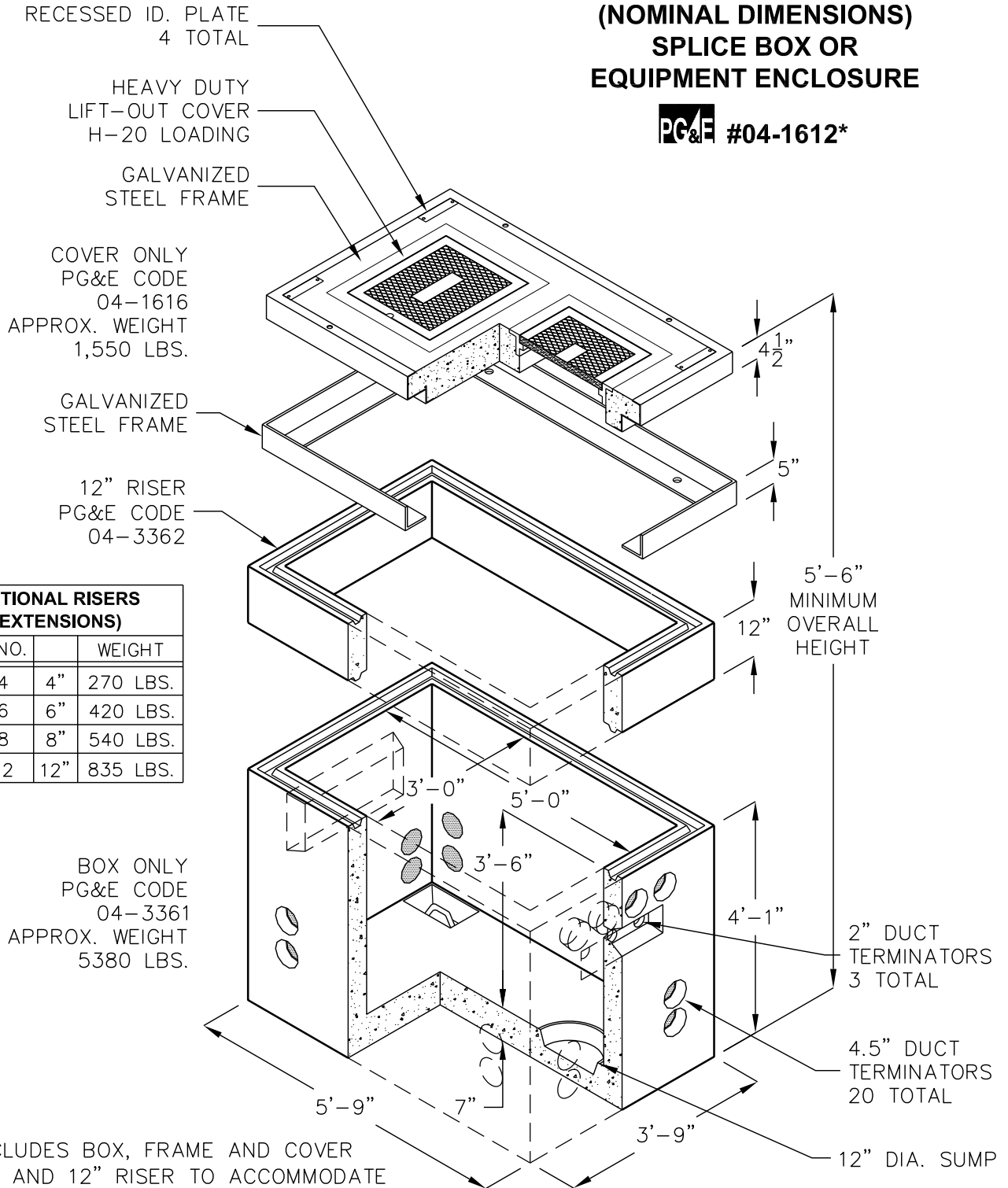


# 35 PG&E

**3'-0" X 5'-0" X 3'-6" I.D.  
(NOMINAL DIMENSIONS)  
SPLICE BOX OR  
EQUIPMENT ENCLOSURE**

**PG&E #04-1612\***



\*CODE INCLUDES BOX, FRAME AND COVER ASSEMBLY AND 12" RISER TO ACCOMMODATE FULL TRAFFIC COVER.

DUCT TERMINATOR SIZE AND LOCATION, KNOCKOUTS, PULLING IRONS, ETC. PER CURRENT PG&E SPECIFICATIONS.

FOR COMPLETE DESIGN AND PRODUCT INFORMATION CONTACT JENSEN PRECAST.