

# 3660 PG&E

3'-0" X 5'-0" X 2'-6" I.D.  
 (NOMINAL DIMENSIONS)  
 FULL TRAFFIC  
 CONCRETE BOX

**PG&E #03-2507\***

HEAVY DUTY  
 LIFT OUT COVER  
 DESIGN LOAD:  
 FULL H-20

COVER ONLY  
 PG&E CODE  
 04-1616  
 APPROX. WT.:  
 1550 LBS.

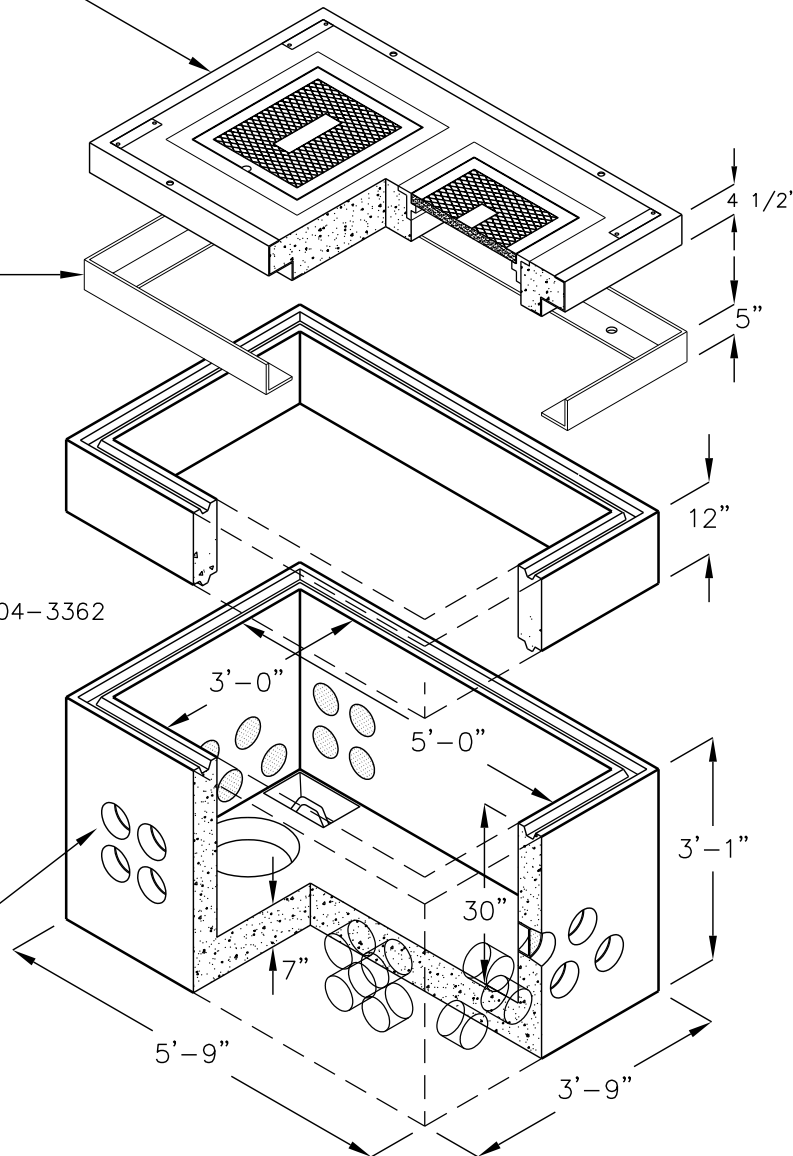
STEEL FRAME  
 GALVANIZED

OPTIONAL RISERS (EXTENSIONS)		
MODEL NO.	B	WEIGHT
35-R4	4"	270 LBS.
35-R6	6"	420 LBS.
35-R8	8"	540 LBS.
35-R12	12"	835 LBS.

04-3362

BOX ONLY  
 PG&E CODE  
 03-2508  
 APPROX. WT.:  
 4400 LBS.

5" DUCT  
 TERMINATORS  
 30 TOTAL



\*CODE INCLUDES BOX, FRAME AND COVER ASSEMBLY, AND 12" RISER TO ACCOMMODATE THE FULL TRAFFIC COVER.

DUCT TERMINATOR SIZE AND LOCATION, KNOCKOUTS, PULLING IRONS, ETC. PER CURRENT PG&E SPECIFICATIONS.

FOR COMPLETE DESIGN AND PRODUCT INFORMATION, CONTACT JENSEN PRECAST.