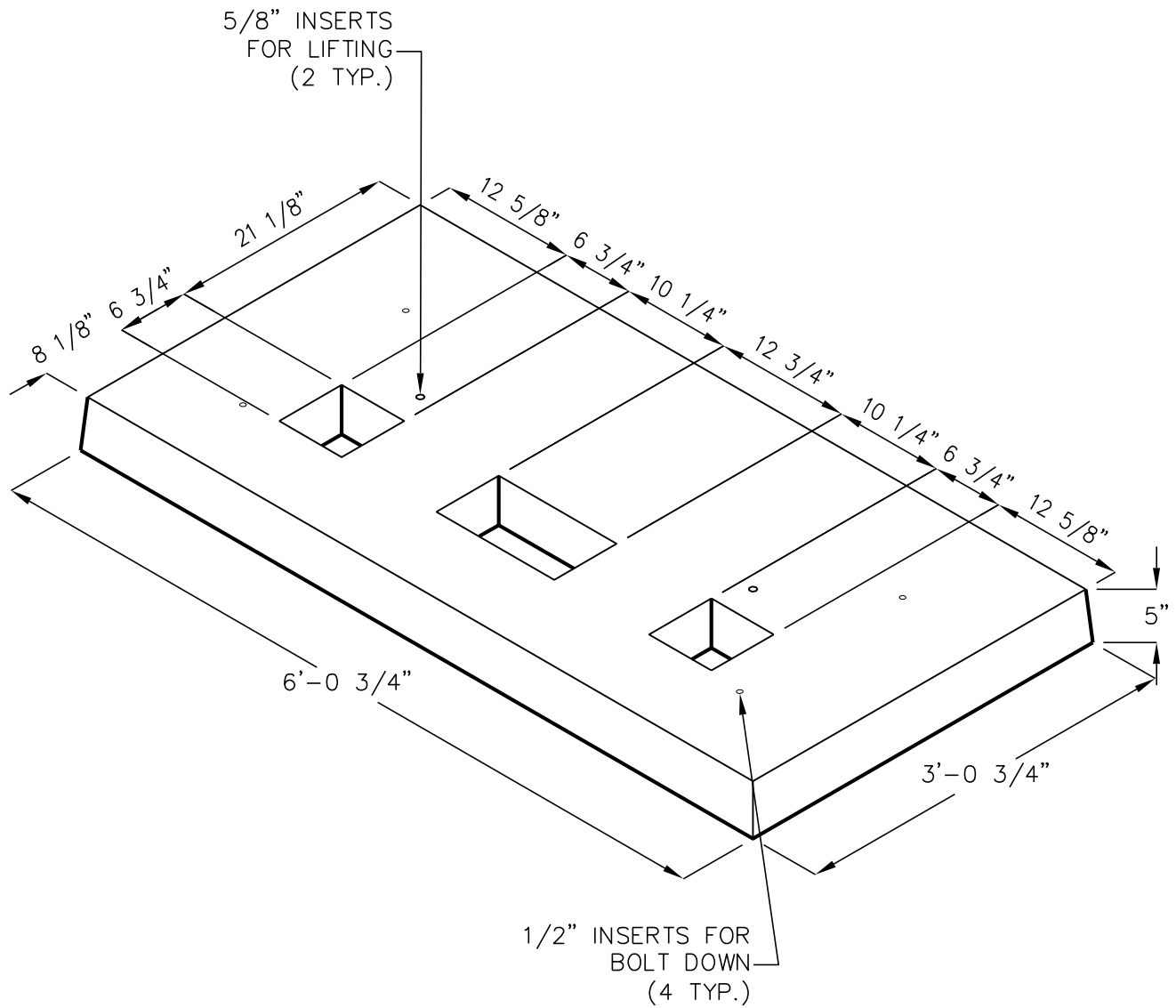


JUNCTION PAD

36 x 72

36" WD. x 72" LG. x 5" H.
PRECAST POLYMER CONCRETE FOR
PADMOUNT JUNCTIONS

PCE #36-0038



FOR COMPLETE DESIGN
AND PRODUCT INFORMATION
CONTACT JENSEN PRECAST.