

RECESSED ID. PLATE
4 TOTAL

HEAVY DUTY
LIFT-OUT COVER
H-20 LOADING

STEEL FRAME

4686 PG&E

4'-6" X 8'-6" X 6'-0" I.D.
(NOMINAL DIMENSIONS)
SPLICE BOX OR
EQUIPMENT ENCLOSURE

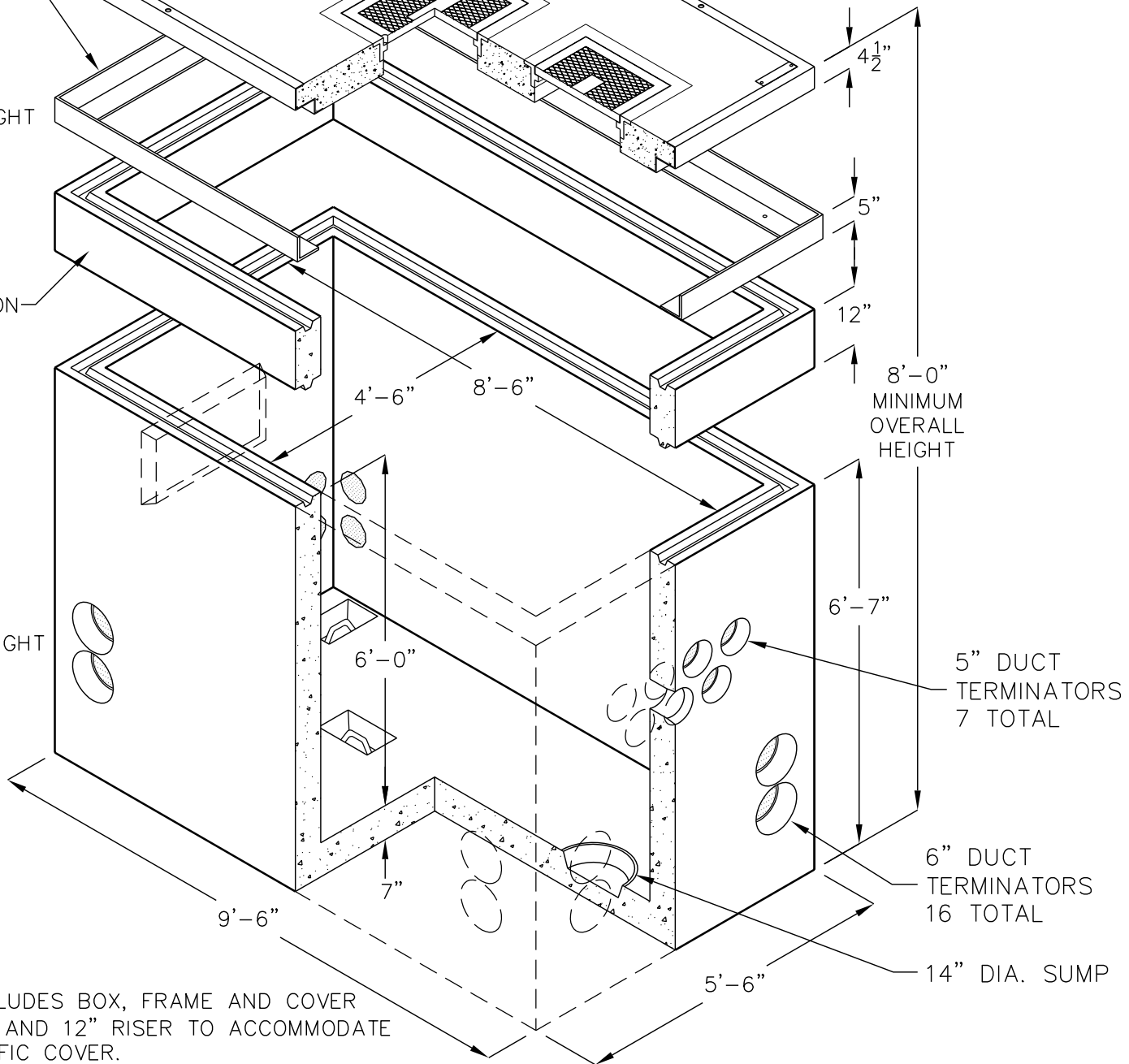
PG&E #04-1441*

GALVANIZED
STEEL FRAME

COVER ONLY
PG&E CODE
04-1443
APPROX. WEIGHT
4100 LBS.

12" EXTENSION
PG&E CODE
04-3415

BOX ONLY
PG&E CODE
04-3376
APPROX. WEIGHT
17300 LBS.



*CODE INCLUDES BOX, FRAME AND COVER ASSEMBLY AND 12" RISER TO ACCOMMODATE FULL TRAFFIC COVER.

DUCT TERMINATOR SIZE AND LOCATION, KNOCKOUTS, PULLING IRONS, ETC. PER CURRENT PG&E SPECIFICATIONS.

FOR COMPLETE DESIGN AND PRODUCT INFORMATION CONTACT JENSEN PRECAST.