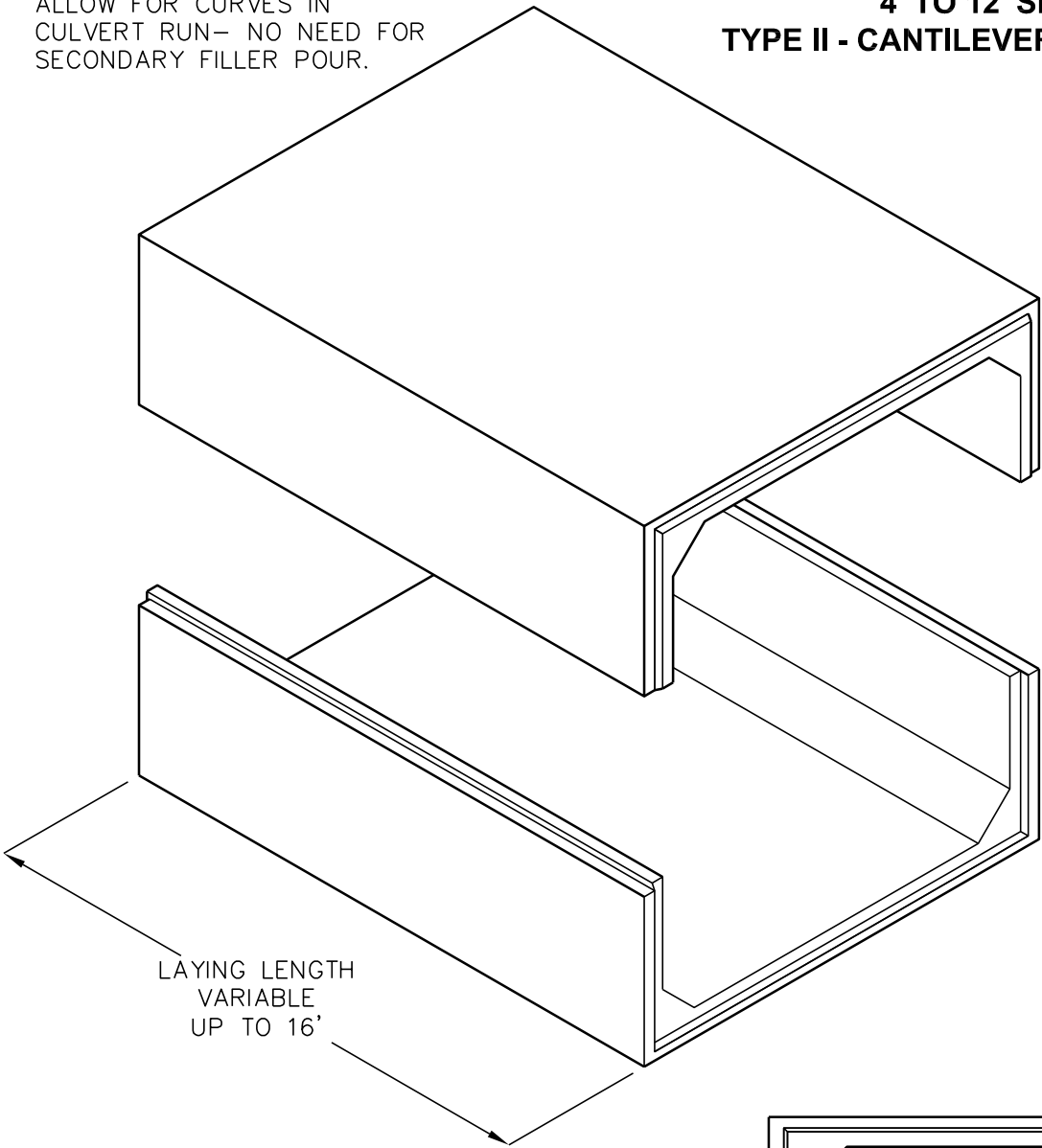


# BOX CULVERT

**4' TO 12' SPANS**  
**TYPE II - CANTILEVER WALL DESIGN**

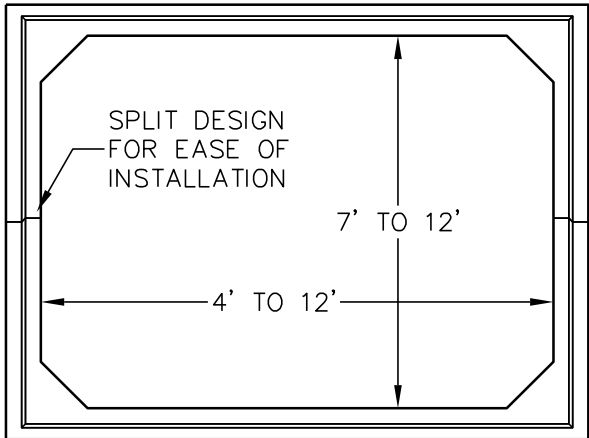
ENDS CAN BE SKEWED TO  
ALLOW FOR CURVES IN  
CULVERT RUN— NO NEED FOR  
SECONDARY FILLER POUR.



STANDARD DESIGNS MEET AASHTO HS-20 TRAFFIC LOADS IN ACCORDANCE WITH ASTM C1433, ACI 318 AND AASHTO SPECIFICATIONS.

DESIGNS BASED ON SPECIAL LOADINGS OR DEPTHS OF BURY ARE AVAILABLE ON REQUEST. CUSTOM COMPONENTS CAN BE ENGINEERED WITH OPENINGS, DOWELS, AND SKEWS. CUSTOM HEIGHTS AVAILABLE IN 1/2" INCREMENTS.

FOR COMPLETE DESIGN AND PRODUCT INFORMATION CONTACT JENSEN PRECAST.



Jensen Precast reserves the right to make changes to product design and/or dimensions without notice. Please contact Jensen Precast whenever necessary for confirmation or advice on product design.

