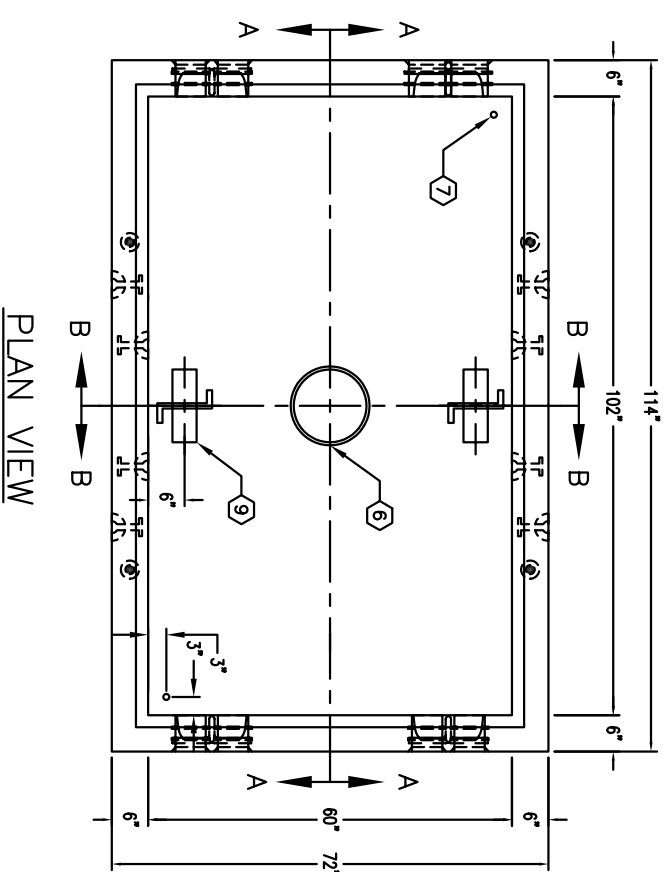
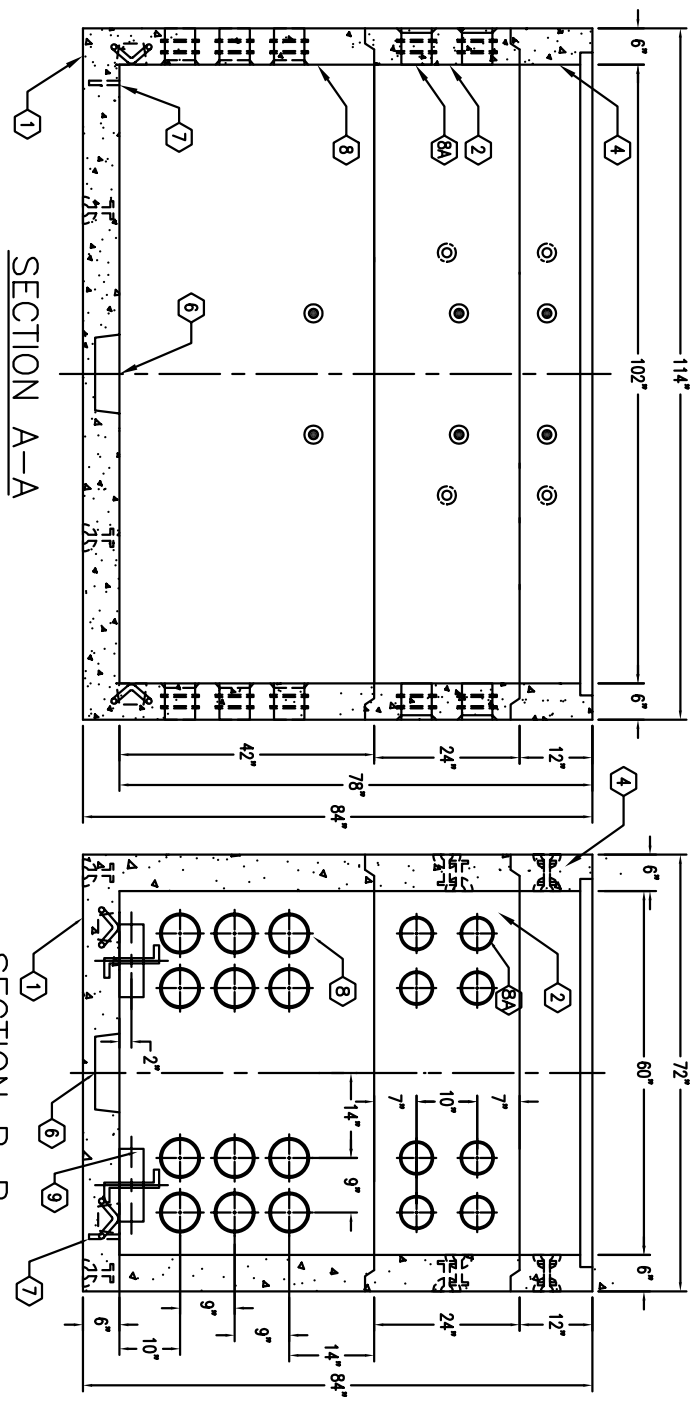
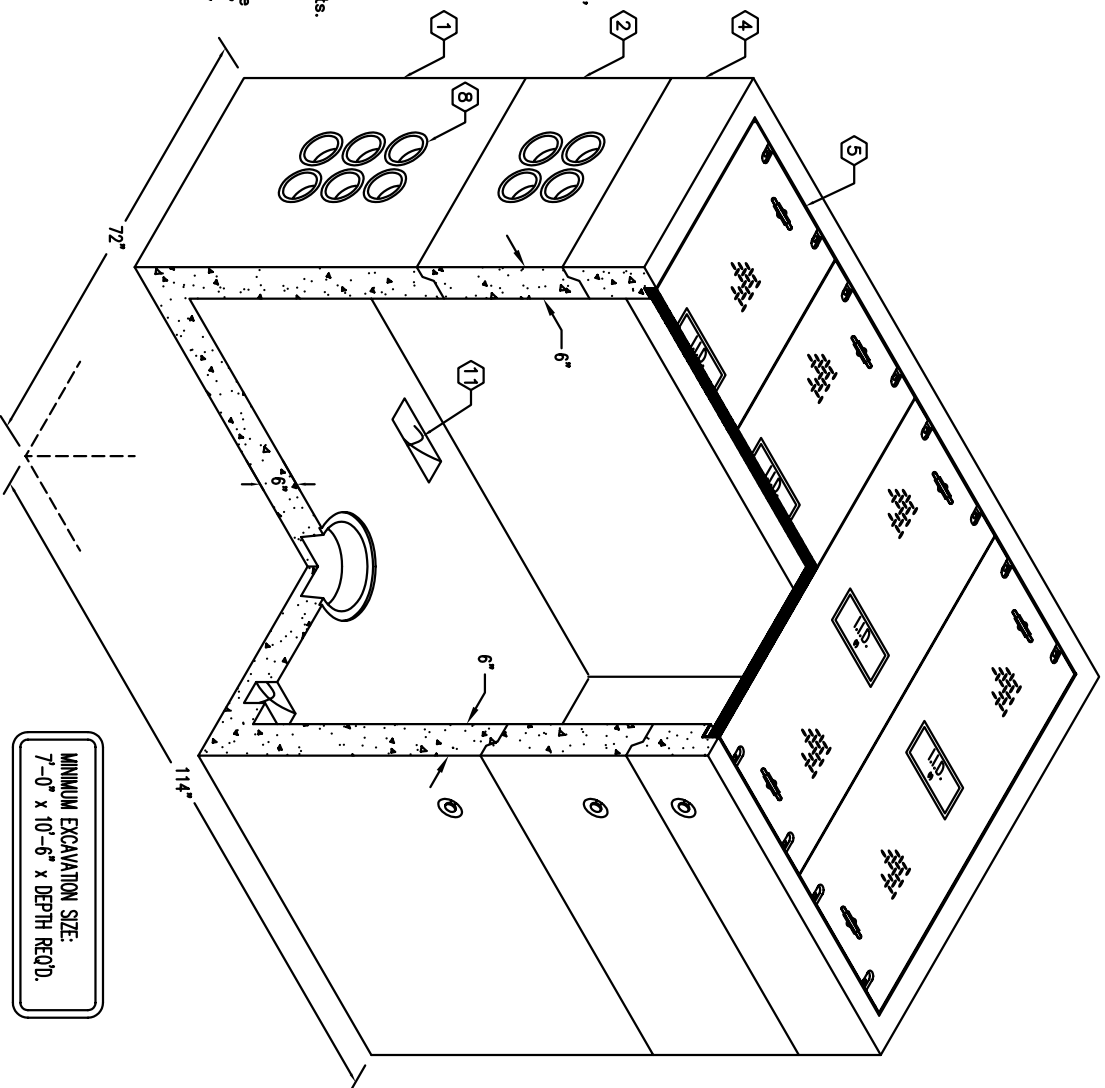


5'-0" x 8'-6" PARKWAY LARGE MANHOLE x 6'-6" DEEP

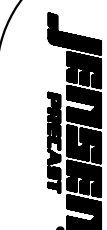
- NOTES:**
- MANHOLE DESIGNED IN ACCORDANCE WITH AASHTO H-20-44 TRAFFIC BRIDGE LOADING USING 5,500 PSI [37.92MPa] COMPRESSIVE STRENGTH CONCRETE AND 60,000 PSI [413.2MPa] YIELD STRENGTH ASTM A-706 STEEL REINFORCEMENT PER CALC. #30381.
 - COVER DESIGNED FOR PARKWAY LOADING 300 PSF.
 - MANHOLE TO BE PLACED ON A MIN. 6" BASE OF CRUSHER RUN FOR EASE OF INSTALLATION AND EVEN LOAD DISTRIBUTION.
 - STRUCTURES TO BE STENCILED, "JENSEN PRECAST",
 - 7/8" x 1 3/4" CONSEAL GASKET (90 FT. REQ'D) WILL BE SHIPPED WITH EACH VAULT.
1. PB586-B42-25, 42" BOTTOM SECTION (CG-586-B42-25), WT. 11,890 lbs.
 2. PB586-R24-25, 24" RISER SECTION (CG-586-R24-25), WT. 4,350 lbs.
 3. PB586-R12, 12" RISER SECTION (CG-586-R12), WT. 2,175 lbs. (NOT SHOWN - AVAILABLE ON SPECIAL ORDER).
 4. PB586-T12-25, 12" TOP SECTION (CG-586-T12-25) W/CAST-IN GALV. PARKWAY FRAME (F586-PB-PBD), WT. 2,175 lbs.
 5. (4) PIECE POLYMER CONCRETE (12-20-52), (16) 1/2" x 13NC x 2 1/2" S.S.P.H. BOLTS W/WASHER, (8) LIFT HANDLES, MARK EACH COVER I.I.D. WT. 540 lbs.
 6. 12" x 13" DIA. SUMP x 4" DEEP, BOTTOM SECTION (1) CORE MTD.
 7. 1" DIA. GROUND ROD KNOCK OUT, SECTION (2) CORE MTD.
 8. 6" DIA. TERMINATORS WITH LOCATOR FOR 6" WALLS. LOCATE AS FOLLOWS:
 - 6A. BOTTOM SECTION (24) SHELL MTD.
 - 6B. DIA. TERMINATORS WITH LOCATOR FOR 6" WALLS. LOCATE AS FOLLOWS: RISER SECTION (16) SHELL MTD.
 - 7/8" x 4 1/2" W/LEGS GALV. PULL IRON, BOTTOM SECTION (6) CORE MTD.
 - 9.

ORDERING INFORMATION:
 K586-FH78-25 FOR ASSEMBLY AS SHOWN.
 TOTAL WEIGHT OF ASSEMBLY IS 20,590 lbs.

- GENERAL NOTES:**
1. Minimum soil bearing capacity is hereby assumed to be 2000 PSF unless otherwise documented by a geotechnical report that shall be provided to Jensen Precast by the end user. Jensen Precast shall not be held responsible for the soil bearing capacity.
 2. Installation of Manholes, Vaults, Handholes, Meter Boxes etc. will be as per Jensen Installation Procedures.
 3. Structural modification to the Jensen line of products is not permitted without prior written approval from Jensen Engineering Department.
 4. Do not scale the drawings, verify all dimensions including rough openings, if any discrepancies are found, notify the Jensen Engineer immediately.
 5. The Jensen Engineer will interpret the intent of the drawings in case of possible conflict or discrepancy.
 6. Permissible Variations:
 Dimensional Tolerances - The length, width, height, or dia. measurements of the structure when measured on the inside surfaces shall not deviate from design dimensions by more than the following:
 Tolerance:
 0 to 5 Feet 1/4"
 5 to 10 Feet 3/8"
 10 to 20 Feet as agreed upon between the supplier and purchaser.
 Squariness Tolerance:
 The inside of the precast concrete component shall be square as determined by diagonal measurements. The difference between such measurements shall not exceed the following:
 Measured Length: Allowable Difference
 0 to 10 Feet 1/2"
 10 to 20 Feet 3/4"
 20 Feet and over as agreed upon between the supplier and purchaser.
 - 7.



K586-FH78-25
 PER ILL. 556 Rev.01 11-9-00 7/12/06



#	DATE	DESCRIPTION	BY
A	10-10-06	REVIS: TERMS IN BDM SECTION	DRG

K586-FH78-25
 PER ILL. 556 Rev.01 11-9-00