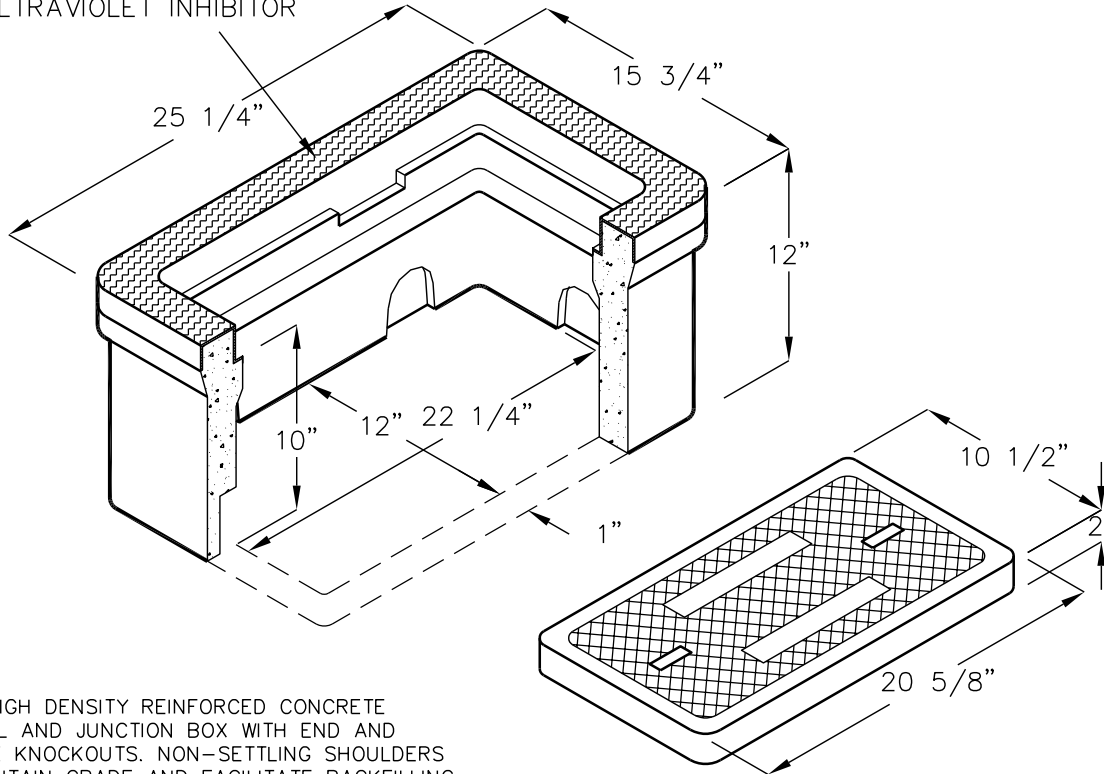


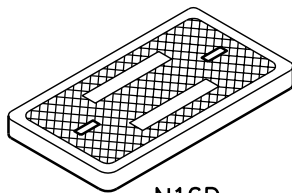
N16 ELECTRICAL HANDHOLE

12" x 22 1/4" x 10"
(INSIDE DIMENSIONS)

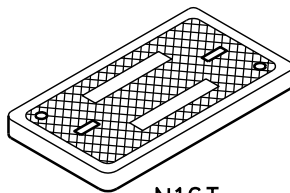
- ETCHED POLYETHYLENE FACE
- FACE ANCHORED IN CONCRETE
- ULTRAVIOLET INHIBITOR



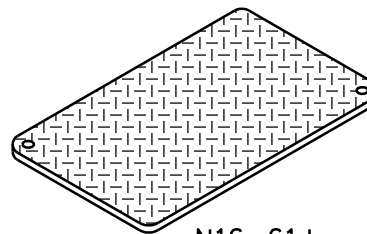
A HIGH DENSITY REINFORCED CONCRETE PULL AND JUNCTION BOX WITH END AND SIDE KNOCKOUTS. NON-SETTLING SHOULDERS MAINTAIN GRADE AND FACILITATE BACKFILLING.



N16D
LID



N16T
LID



N16-61J
COVER

CATALOG NUMBER	PRODUCT	DESCRIPTION	APPROX. WT. (LBS.)
N16	BOX	REINFORCED CONCRETE	116
N16D	LID	REINFORCED CONCRETE	32
N16T	LID	REINFORCED CONCRETE W/HOLD DOWN BOLTS	32
B16C	LID	CAST IRON	33
N16-61J	COVER	STEEL CHECKER PLATE W/HOLD DOWN BOLTS	32
N16X12	EXTENSION	12" HIGH REINFORCED CONCRETE	102
N16SL	SLAB	REINFORCED CONCRETE	53