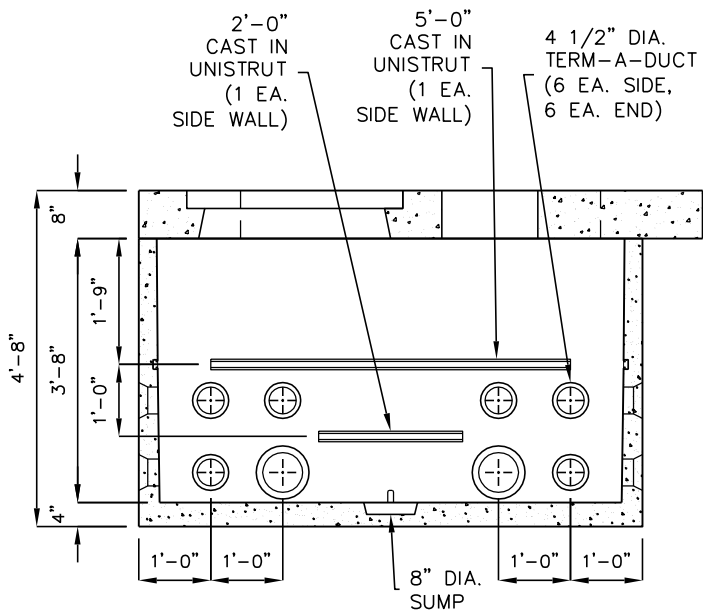
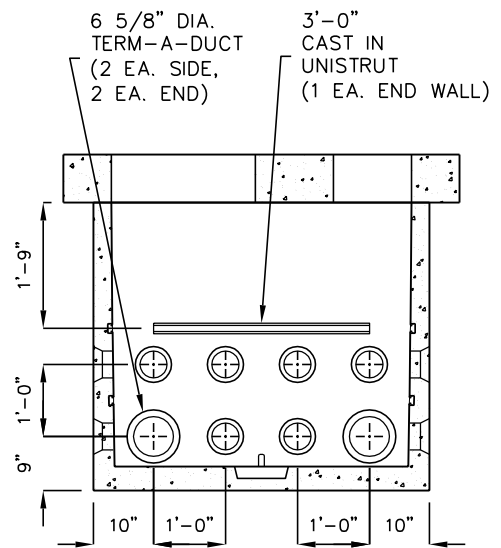


TOP VIEW



SIDE VIEW (TYP.)



END VIEW (TYP.)