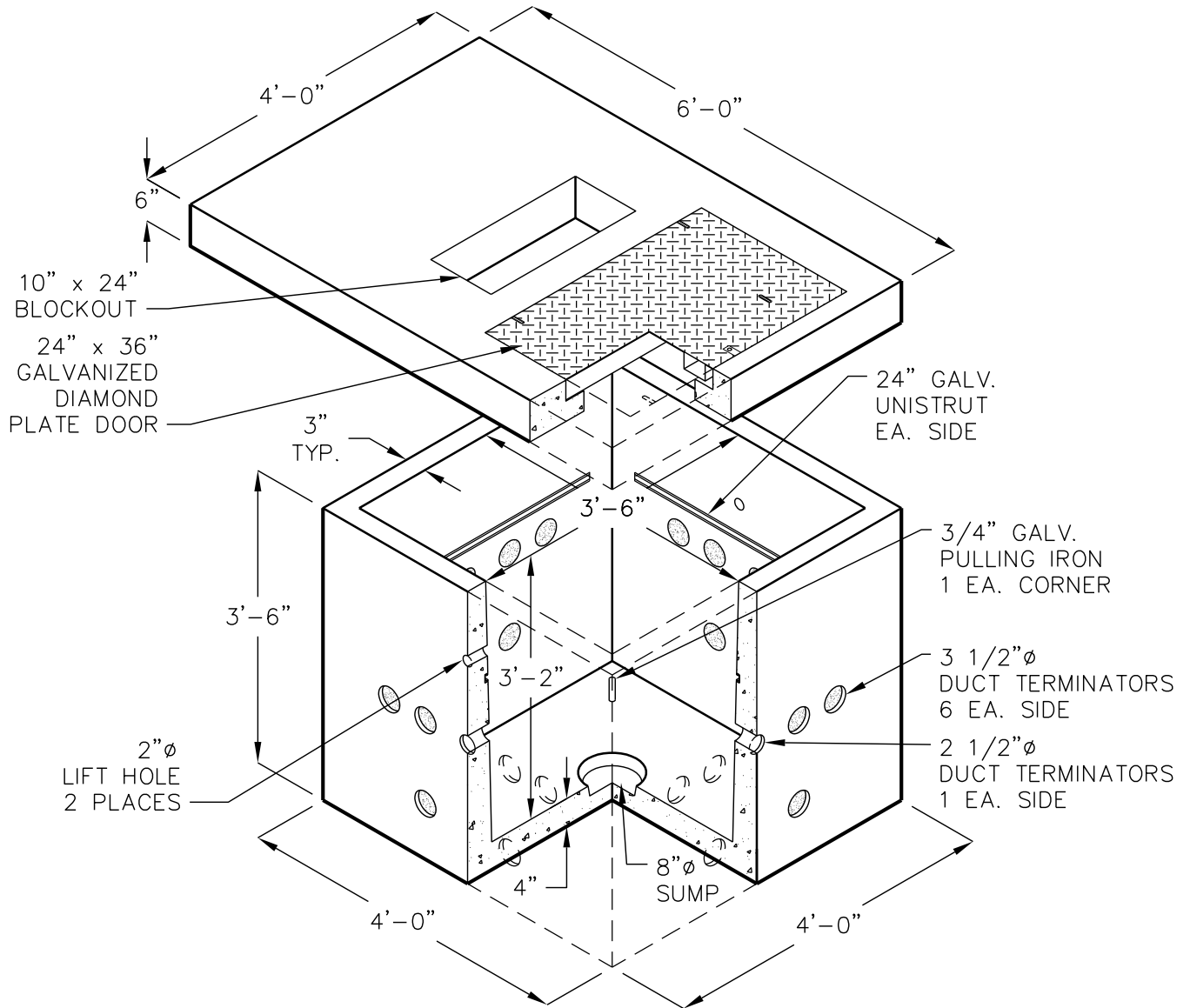


CEC 444 BASE W/48" X 72" COVER SLAB

3'-6" X 3'-6" X 3'-2"
(INSIDE DIMENSIONS)

MEETS CEC SPECIFICATION



DESIGN LOAD: H-20

FOR COMPLETE DESIGN
AND PRODUCT INFORMATION
CONTACT JENSEN PRECAST.