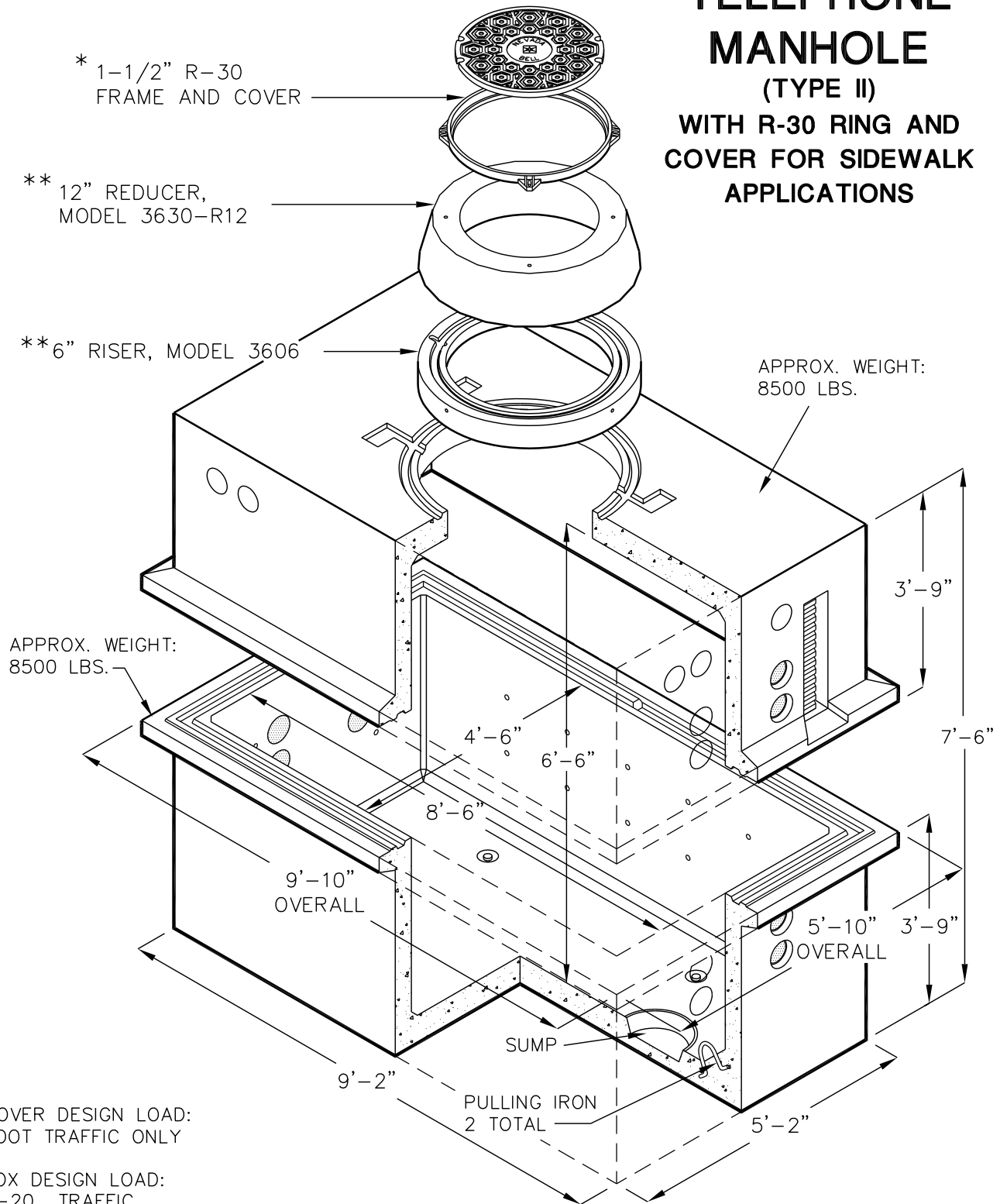


PTS-65 INTERCEPT TELEPHONE MANHOLE

(TYPE II)

WITH R-30 RING AND
COVER FOR SIDEWALK
APPLICATIONS



COVER DESIGN LOAD:
FOOT TRAFFIC ONLY

BOX DESIGN LOAD:
H-20 TRAFFIC
WITH 1' TO 5' EARTH COVER

FOR COMPLETE DESIGN
AND PRODUCT INFORMATION,
CONTACT JENSEN PRECAST.

- * SEE HARDWARE/APPURTENANCES SECTION FOR SPECIFICATIONS.
- ** RISERS OPTIONAL. SEE COLLAR/RISER SECTION FOR SPECIFICATIONS.