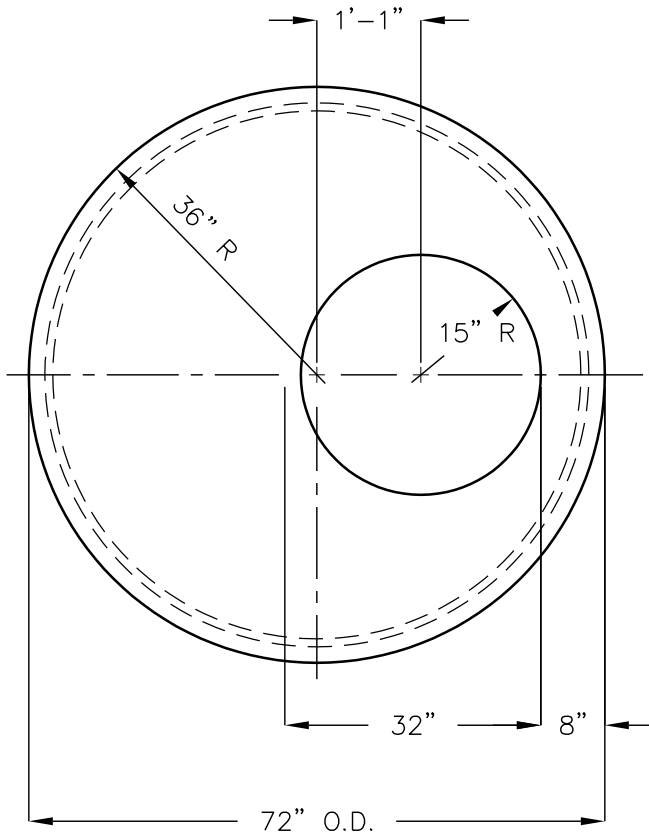
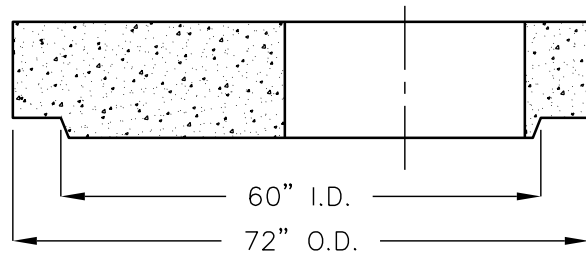


**60" I.D. x 6" WALL  
FLAT TOP WITH  
30" ECCENTRIC ACCESS  
OPENING  
MAG 420 SPECIFICATIONS**



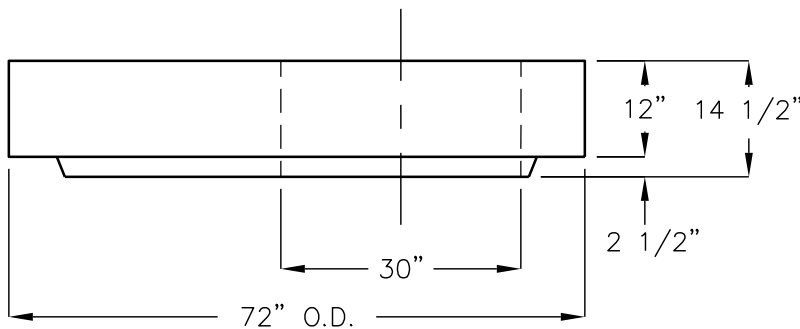
**TOP VIEW**



**SECTION**

APPROX. WT.	
<b>6072FT-30 ECC MAG FLAT TOP</b>	<b>2990 LBS.</b>

**CONFORMS TO ASTM SPECS C-478  
AND AASHTO No. M199.**



**SIDE VIEW**

FLAT TOPS AND BASE SLABS  
ARE DESIGNED FOR AASHTO  
HS-20 WHEEL LOADING

FOR COMPLETE DESIGN,  
AND PRODUCT INFORMATION  
CONTACT JENSEN PRECAST.