

# 6060 DROP INLET

5' x 5' x 6' I.D.

MODEL A-1024  
FRAME AND COVER  
(284 LBS.)

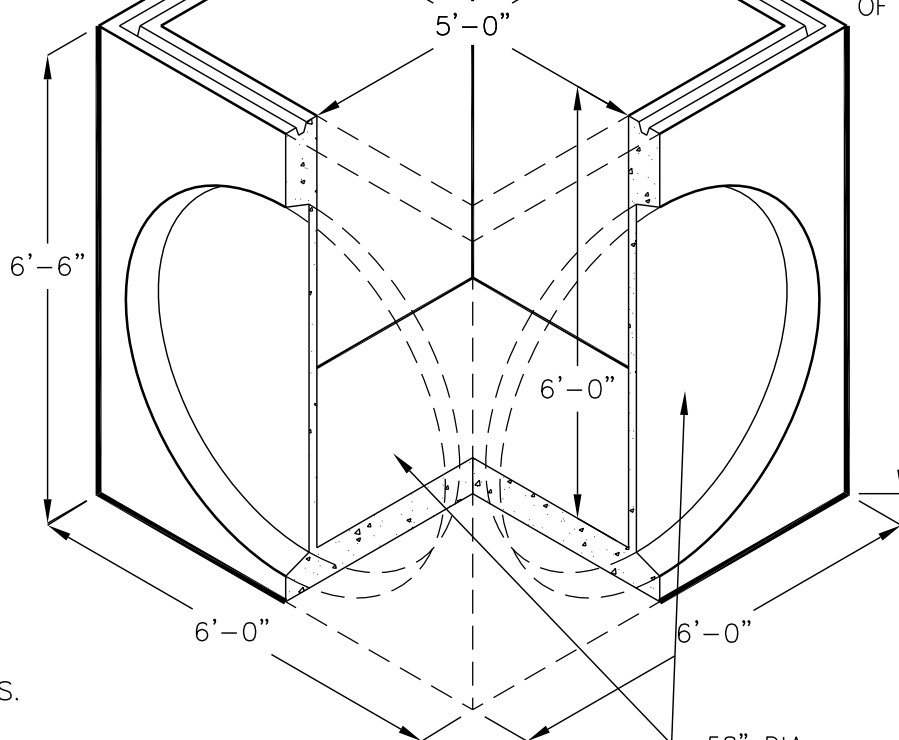
OR  
MODEL C-2669  
FRAME AND GRATE  
(282 LBS.)

24" ACCESS  
OPENING

6"

6060-24C  
SLAB COVER  
(2464 LBS.)

7'-5"  
OVERALL  
HEIGHT  
TO TOP  
OF LID



APPROX. WT.  
BOX: 8182 LBS.

BOX DESIGN LOAD:  
H2O TRAFFIC

FOR COMPLETE DESIGN  
AND PRODUCT INFORMATION  
CONTACT JENSEN PRECAST.

58" DIA.  
THINWALL  
KNOCKOUT  
1 EA. WALL  
4 TOTAL