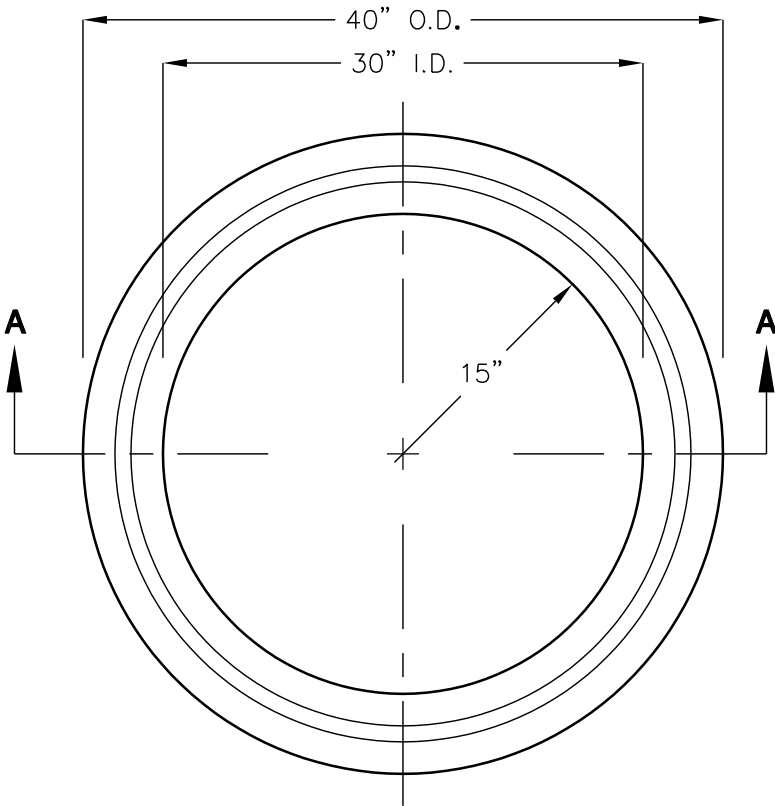
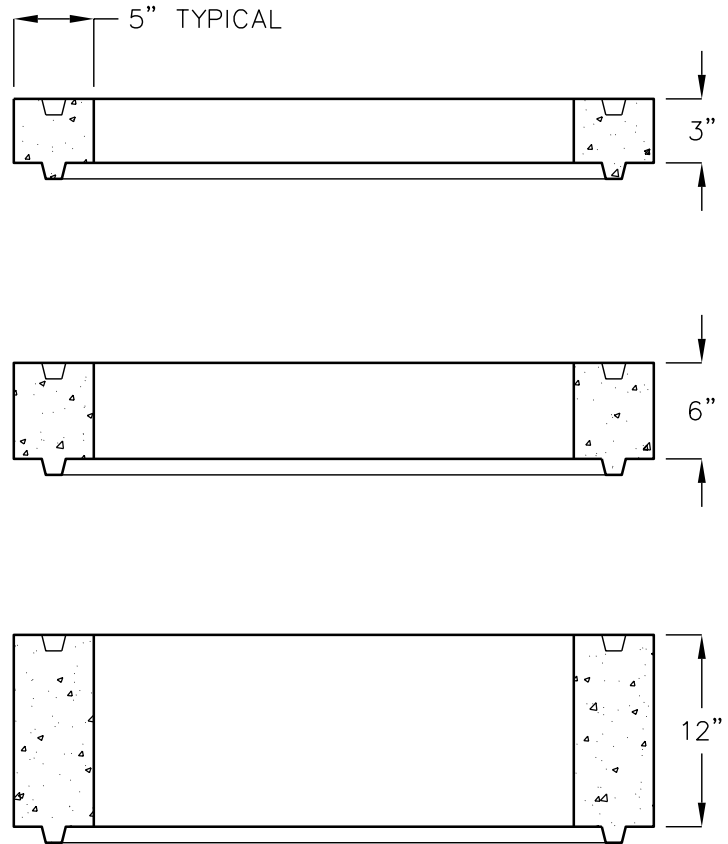


GRADE RINGS/RISERS

MODEL 3040
30" I.D., 5" WALL



TOP VIEW



SECTION A-A

| DESCRIPTION | APPROX. WEIGHT |
|-----------------------|----------------|
| 3040 GR-03 GRADE RING | 137 LBS. |
| 3040 GR-06 GRADE RING | 294 LBS. |
| 3040 GR-12 GRADE RING | 599 LBS. |

CONFORMS TO CURRENT SPECIFICATIONS:
ASTM C-478 AND AASHTO M-199

FOR COMPLETE DESIGN
AND PRODUCT INFORMATION,
CONTACT JENSEN PRECAST.