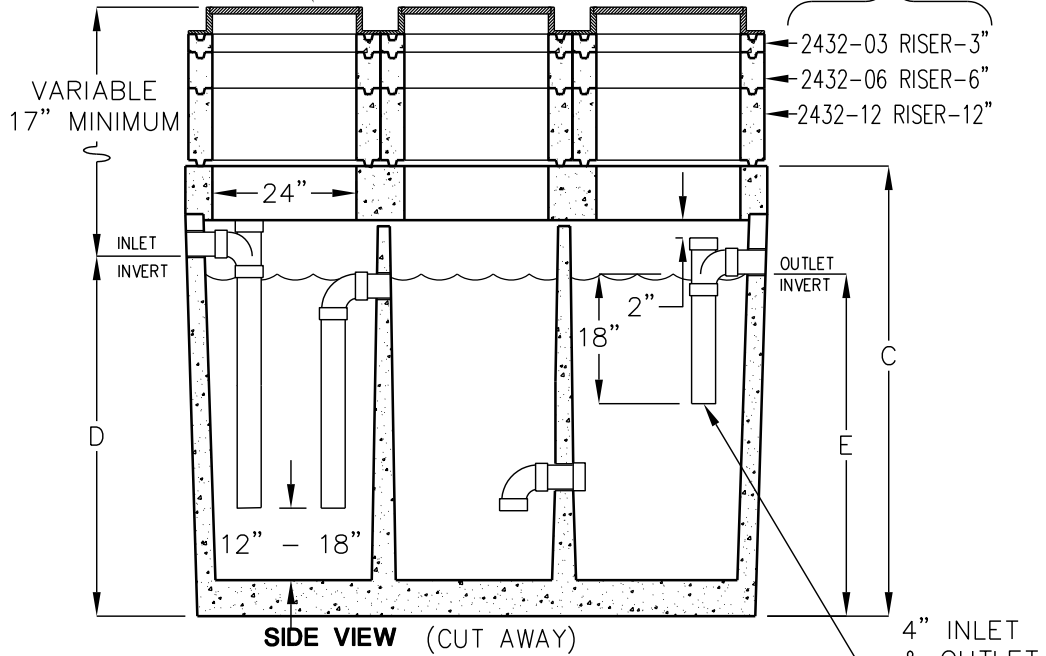


# GREASE INTERCEPTORS

750 - 1500 GALLONS  
 MARICOPA COUNTY STANDARD  
 CITY OF PHOENIX

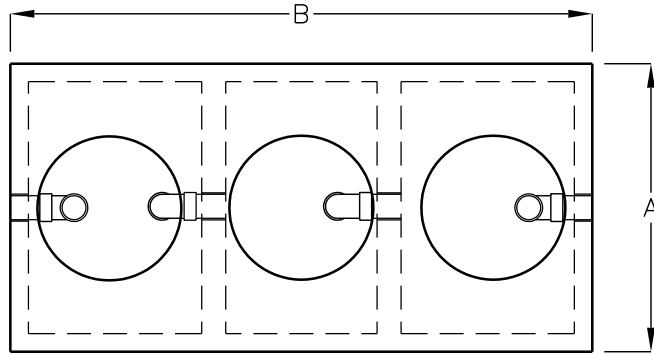
AS REQUIRED  
 (AT EXTRA COST)

24" CAST IRON  
 FRAME & COVER  
 WITH GASKET  
 (GASTIGHT) STANDARD



4" INLET  
 & OUTLET  
 PIPE AND  
 FITTINGS  
 STANDARD

**TOP VIEW**  
 (COVERS & RISERS REMOVED)



| MODEL NUMBER | LIQUID CAPACITY GALLONS | DIMENSION A | DIMENSION B | DIMENSION C | DIMENSION D | DIMENSION E | MINIMUM EXCAVATION WIDTH | MINIMUM EXCAVATION LENGTH |
|--------------|-------------------------|-------------|-------------|-------------|-------------|-------------|--------------------------|---------------------------|
| CL750ECE-G   | 750                     | 4'-0"       | 8'-1"       | 6'-3"       | 5'-0"       | 4'-9"       | 5'-0"                    | 9'-1"                     |
| CL1000ECE-G  | 1000                    | 5'-1"       | 8'-2"       | 6'-3"       | 5'-0"       | 4'-9"       | 6'-1"                    | 9'-2"                     |
| CL1200ECE-G  | 1200                    | 5'-9"       | 8'-6"       | 6'-6"       | 5'-0"       | 4'-9"       | 6'-9"                    | 9'-6"                     |
| CL1500ECE-G  | 1500                    | 5'-7"       | 10'-8"      | 6'-3"       | 5'-0"       | 4'-9"       | 6'-7"                    | 11'-8"                    |

BOX DESIGN LOAD: H-20 TRAFFIC.

FOR COMPLETE DESIGN AND PRODUCT INFORMATION CONTACT JENSEN PRECAST.