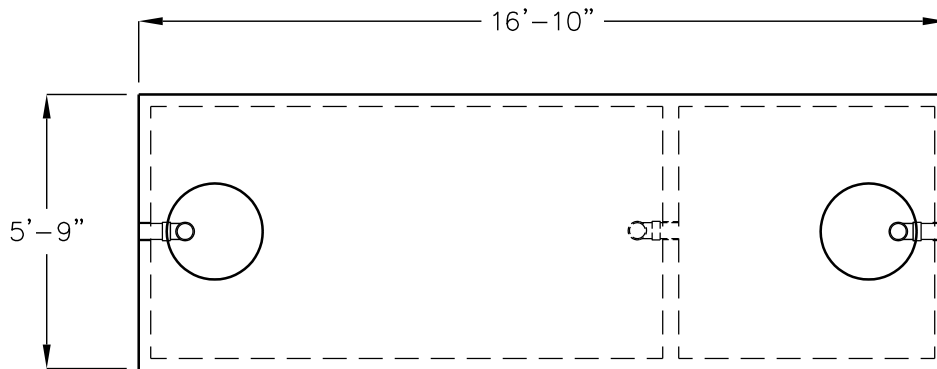
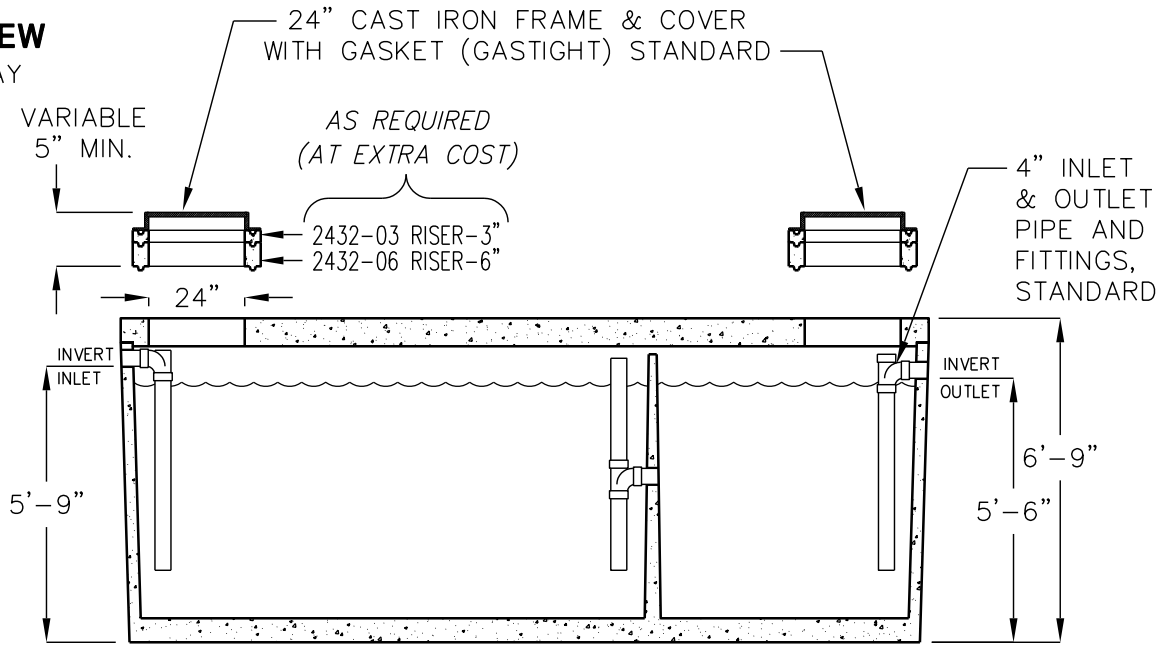


# 3000 GALLON GREASE INTERCEPTOR

MODEL JZ3000EE-G

ACCEPTED BY UPC®

## SIDE VIEW CUTAWAY



## TOP VIEW (COVERS REMOVED)

LIQUID CAPACITY: 3,000 GALLONS.

BOX DESIGN LOAD: H-20 TRAFFIC FROM 1' TO 5' OF SOIL COVER.

FOR COMPLETE DESIGN AND PRODUCT INFORMATION CONTACT JENSEN PRECAST.