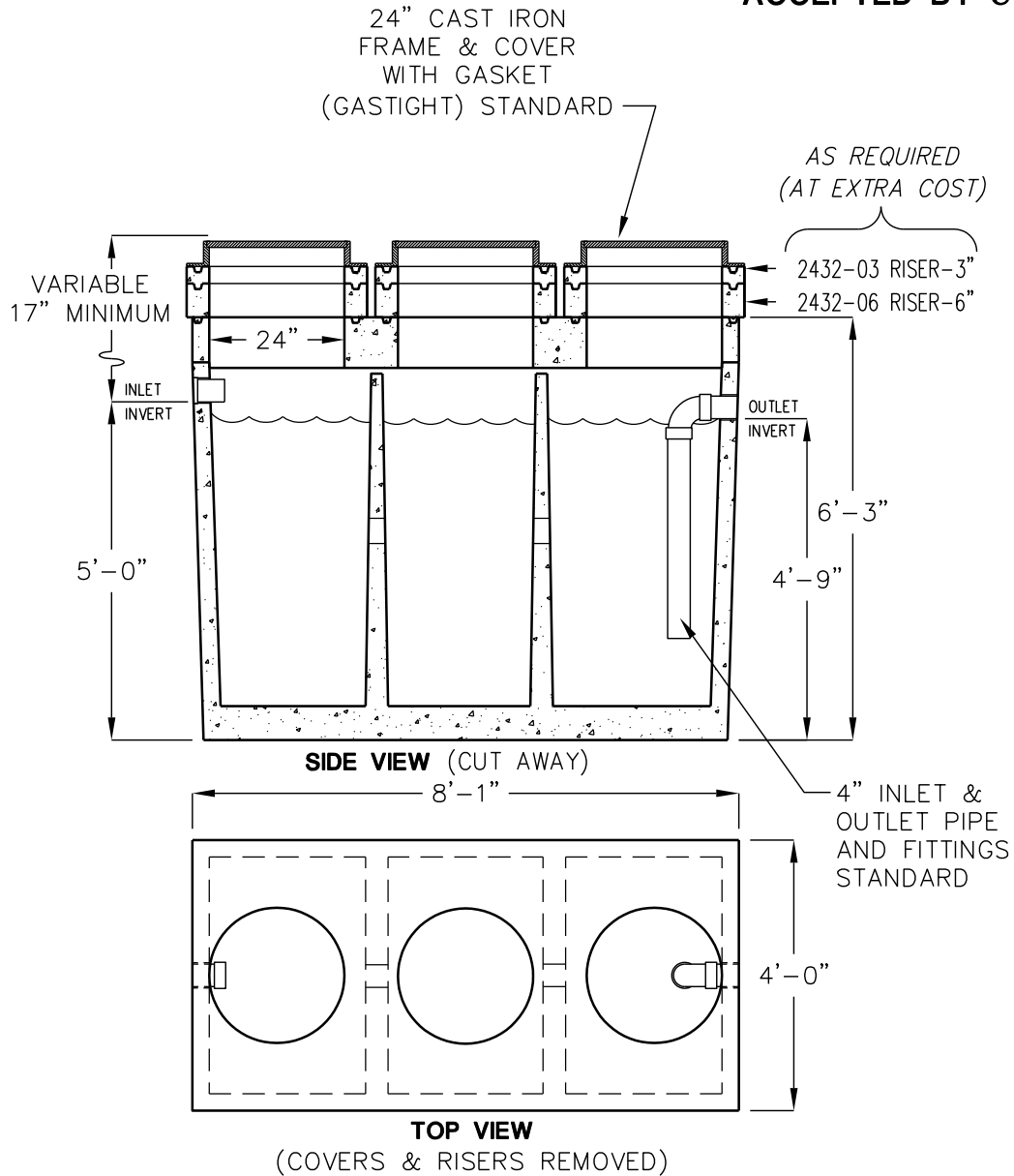


750 GALLON CLARIFIER

MODEL CL750
ACCEPTED BY UPC®



LIQUID CAPACITY: 750 GALLONS.

BOX DESIGN LOAD: H-20 TRAFFIC FROM
1' TO 6' OF SOIL COVER.

FOR COMPLETE DESIGN AND PRODUCT
INFORMATION CONTACT JENSEN PRECAST.