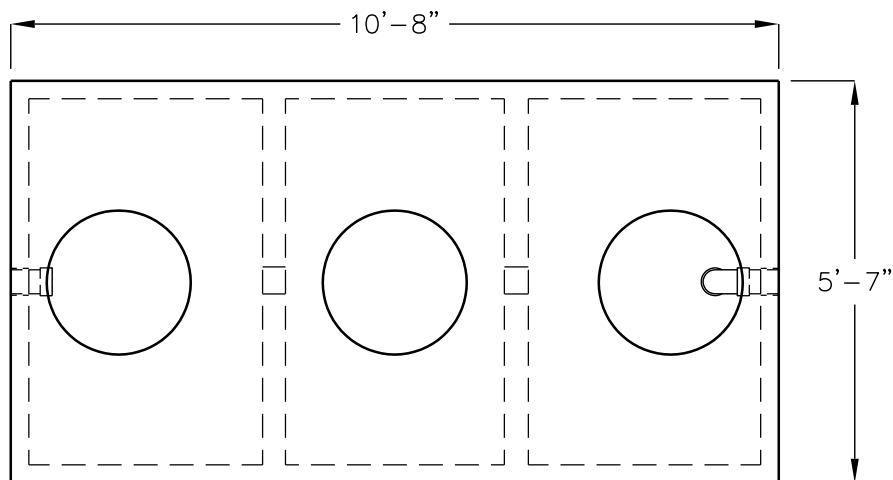
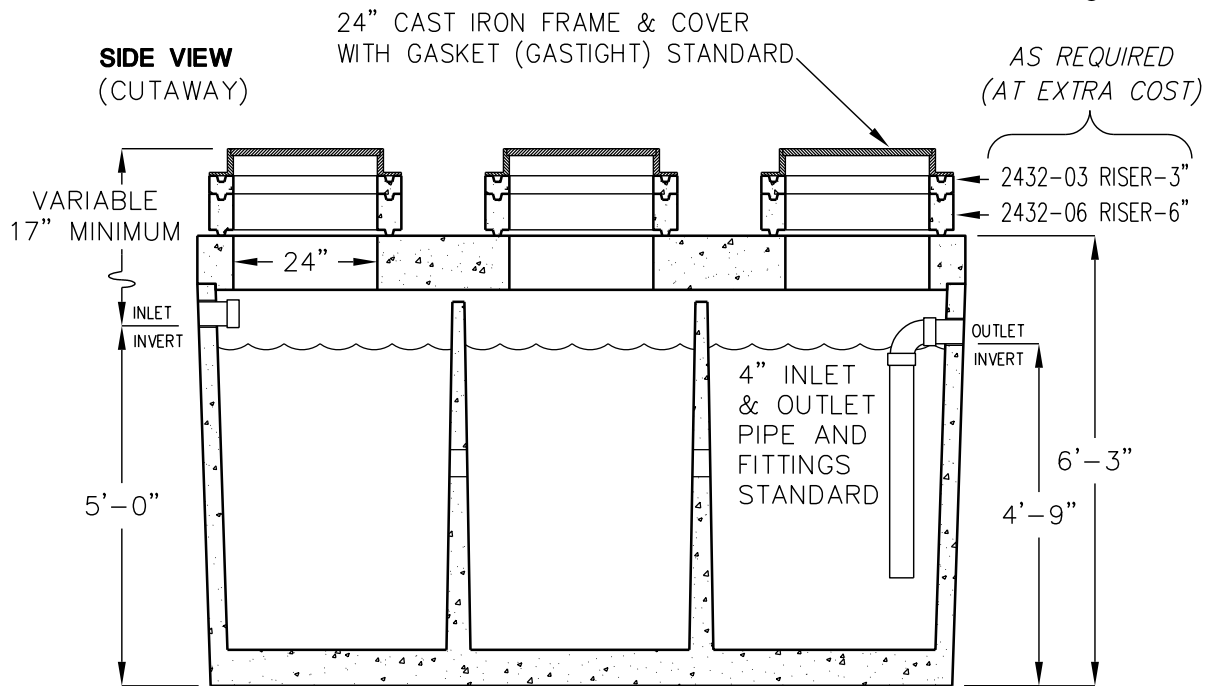


1500 GALLON CLARIFIER

MODEL CL1500

ACCEPTED BY UPC®



TOP VIEW

(COVERS & RISERS REMOVED)

LIQUID CAPACITY: 1,500 GALLONS.

BOX DESIGN LOAD: H-20 TRAFFIC FROM
1' TO 6' OF SOIL COVER.

FOR COMPLETE DESIGN AND PRODUCT
INFORMATION CONTACT JENSEN PRECAST.