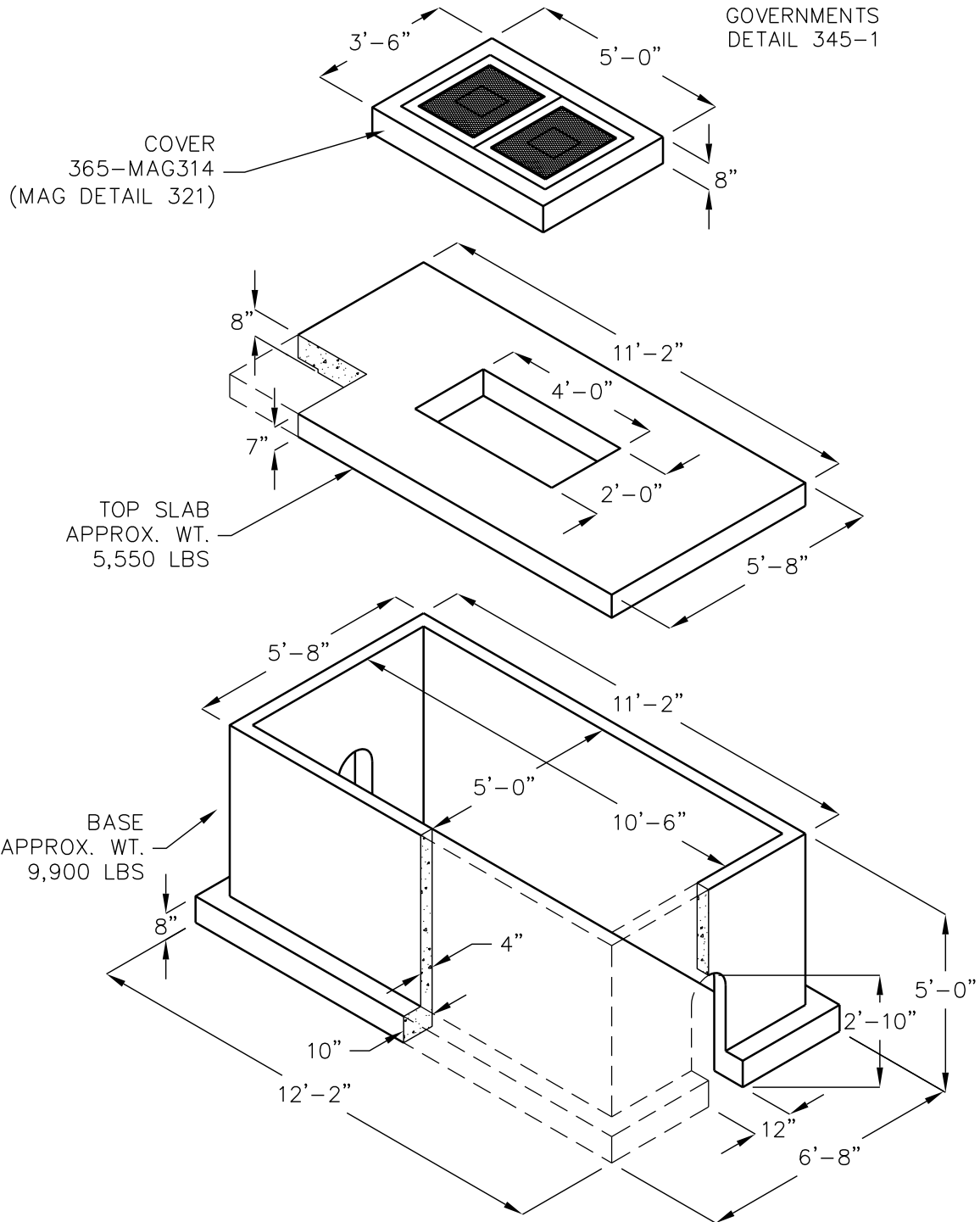


5106 WATER VAULT

5'-0" X 10'-6" X 5'-0"
NOMINAL INSIDE DIMENSIONS

4" WATER METER
MARICOPA ASSOCIATION OF
GOVERNMENTS
DETAIL 345-1



DESIGN LOAD: NON-TRAFFIC.

FOR COMPLETE DESIGN AND PRODUCT INFORMATION
CONTACT JENSEN PRECAST.

7/10/06
5106_VAULT_MAG314_A.dwg
© 2006 Jensen Precast

JENSEN
PRECAST