

# NO 9 PULLBOX

3'-6"x3'-6"x3'-2"

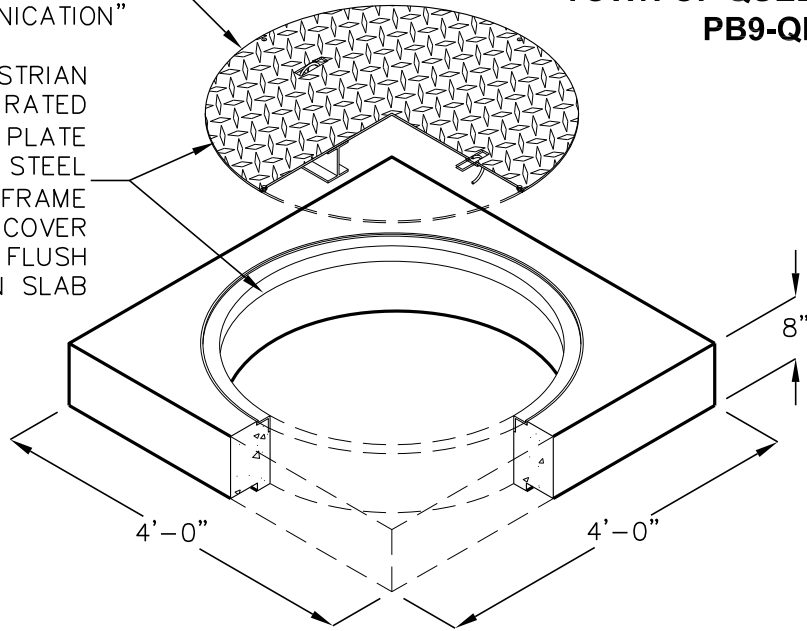
(NOMINAL INSIDE DIMENSIONS)

TOWN OF QUEEN CREEK

PB9-QN

COVER MARKED  
"TOQC COMMUNICATION"  
OR  
"Q-STREET COMMUNICATION"

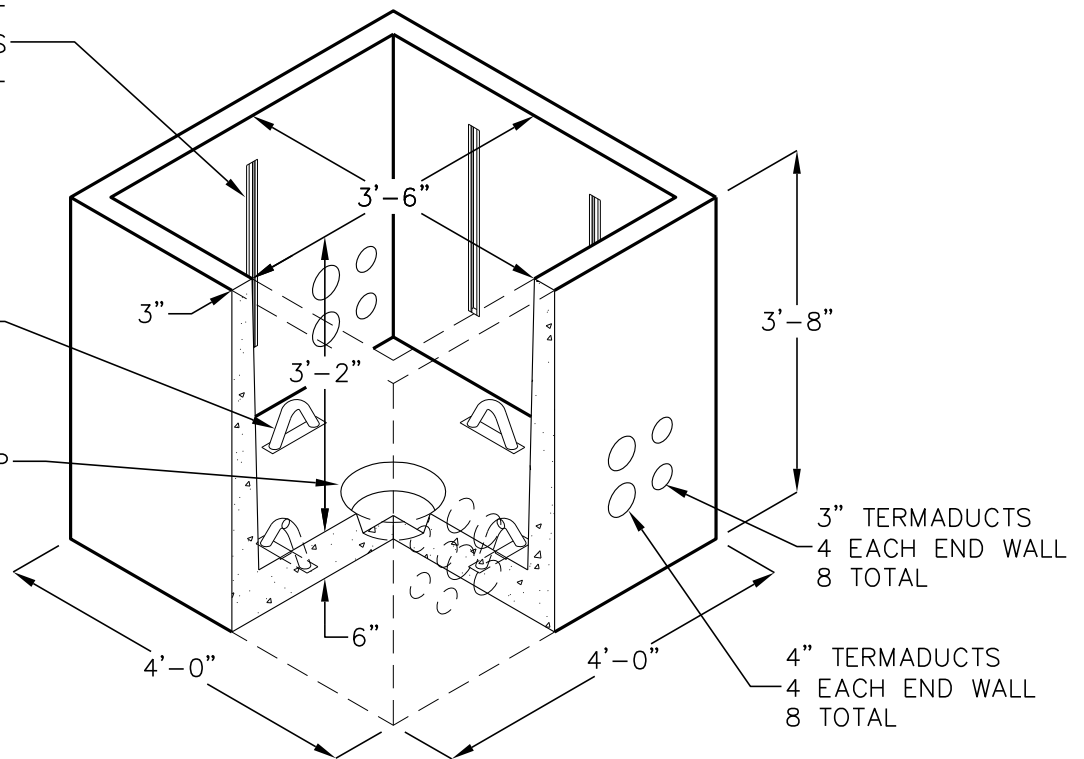
300 PSF PEDESTRIAN  
LOAD RATED  
1/4" DIAMOND PLATE  
GALVANIZED STEEL  
36" ROUND FRAME  
AND COVER  
CAST IN FLUSH  
CENTERED IN SLAB



24" STRUT  
CAST INTO WALLS  
6 TOTAL

PULLING IRONS  
4 TOTAL

9" DIA. SUMP



COVER DESIGN LOAD: 300 PSF PEDESTRIAN LOADING

PULLBOX DESIGN LOAD: H-20 TRAFFIC.

WATER TABLE ASSUMED TO BE BELOW BOTTOM OF STRUCTURE.

FOR COMPLETE DESIGN AND PRODUCT INFORMATION CONTACT JENSEN PRECAST.

Jensen Precast reserves the right to make changes to product design and/or dimensions without notice. Please contact Jensen Precast whenever necessary for confirmation or advice on product design.