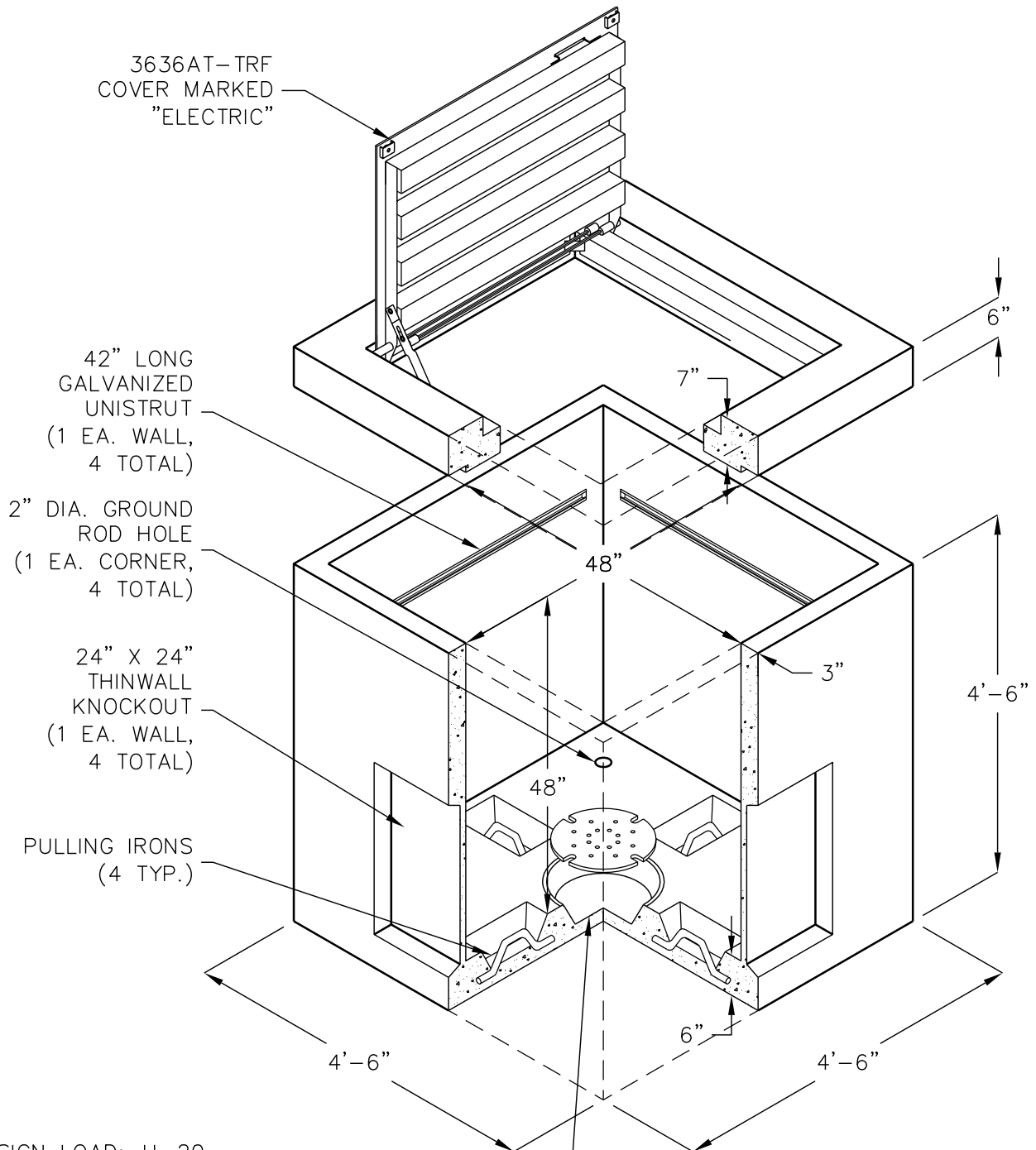


ELECTRICAL BOX

4' X 4' X 4'
(INSIDE DIMENSIONS)



DESIGN LOAD: H-20
INCIDENTAL TRAFFIC

FOR COMPLETE DESIGN
AND PRODUCT INFORMATION
CONTACT JENSEN PRECAST.

12" DIA. SUMP
W\ PLASTIC LID

NOTE: H-20 WHEEL LOADING.
SUITABLE FOR USE IN
OFF-STREET LOCATIONS
WHERE NOT SUBJECTED TO
HIGH DENSITY TRAFFIC.