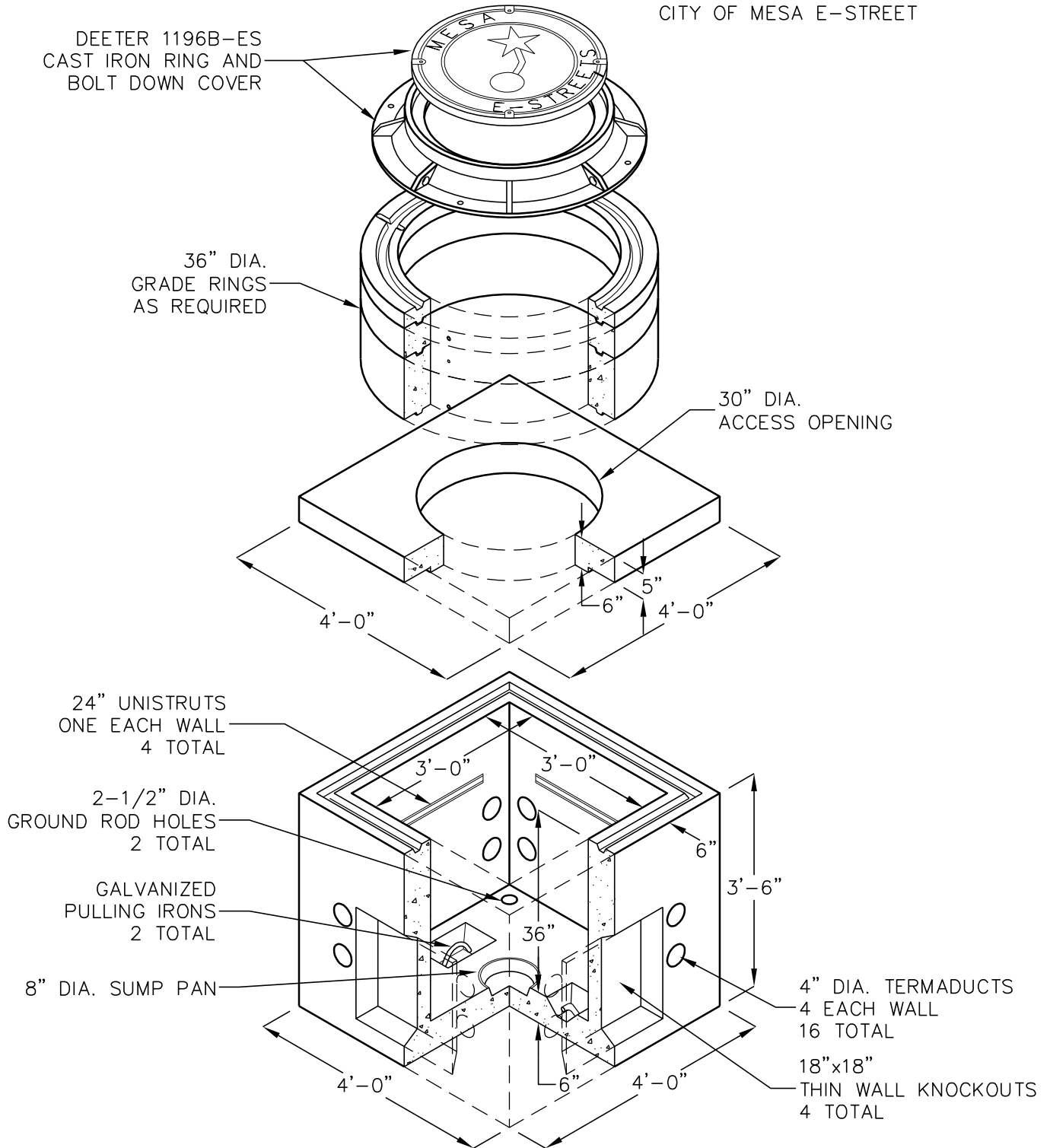


3636 PULLBOX

3'-0"x3'-0"x3'-0"
(NOMINAL INSIDE DIMENSIONS)

CITY OF MESA E-STREET



DESIGN LOAD: H-20 TRAFFIC WITH 1 TO 5 FEET EARTH COVER.

WATER TABLE AT 5 FEET BELOW GRADE.

FOR COMPLETE DESIGN AND PRODUCT INFORMATION CONTACT JENSEN PRECAST.

Jensen Precast reserves the right to make changes to product design and/or dimensions without notice. Please contact Jensen Precast whenever necessary for confirmation or advice on product design.

JENSEN
PRECAST