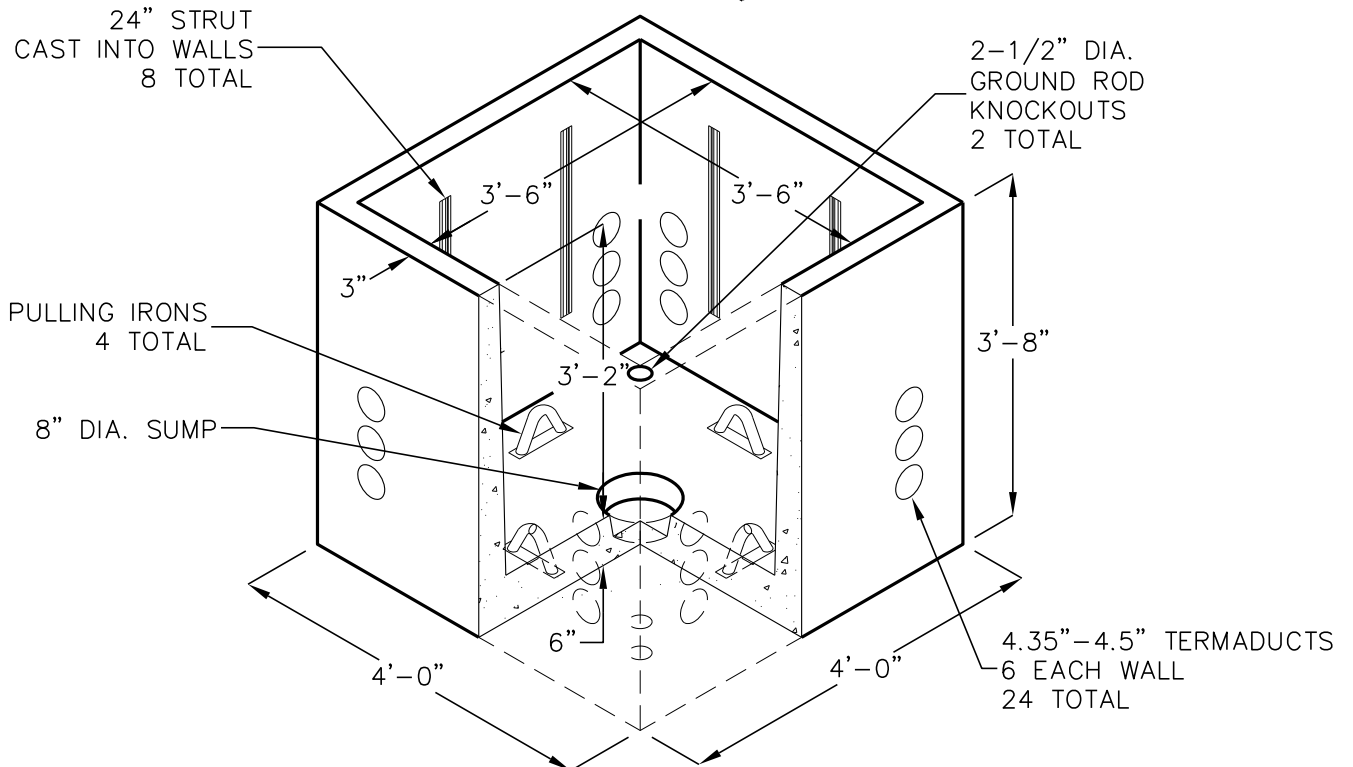
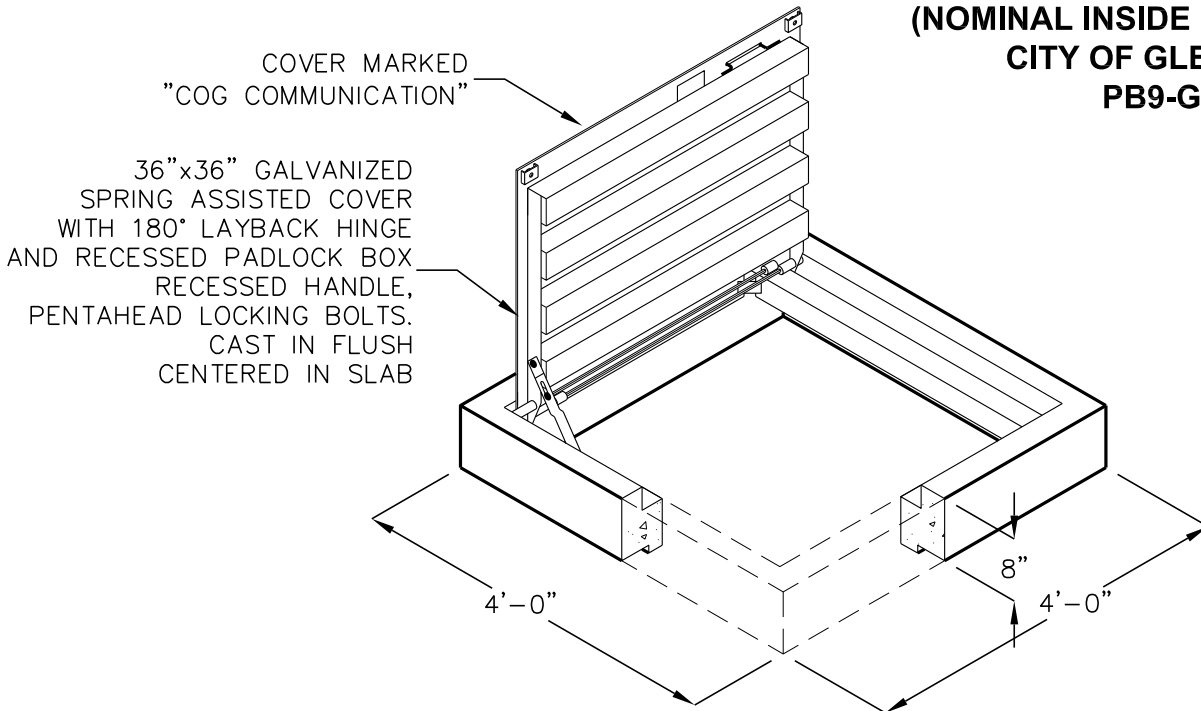


NO 9 PULLBOX

3'-6"x3'-6"x3'-2"
 (NOMINAL INSIDE DIMENSIONS)
 CITY OF GLENDALE
 PB9-GD



DESIGN LOAD: INCIDENTAL H-20 DESIGN FOR 16,000 LB WHEEL LOAD WITHOUT IMPACT, IN AREAS OF LOW SPEED INTERMITTENT TRAFFIC ONLY; NOT FOR HIGH DENSITY TRAFFIC.

FOR COMPLETE DESIGN AND PRODUCT INFORMATION CONTACT JENSEN PRECAST.

Jensen Precast reserves the right to make changes to product design and/or dimensions without notice. Please contact Jensen Precast whenever necessary for confirmation or advice on product design.

