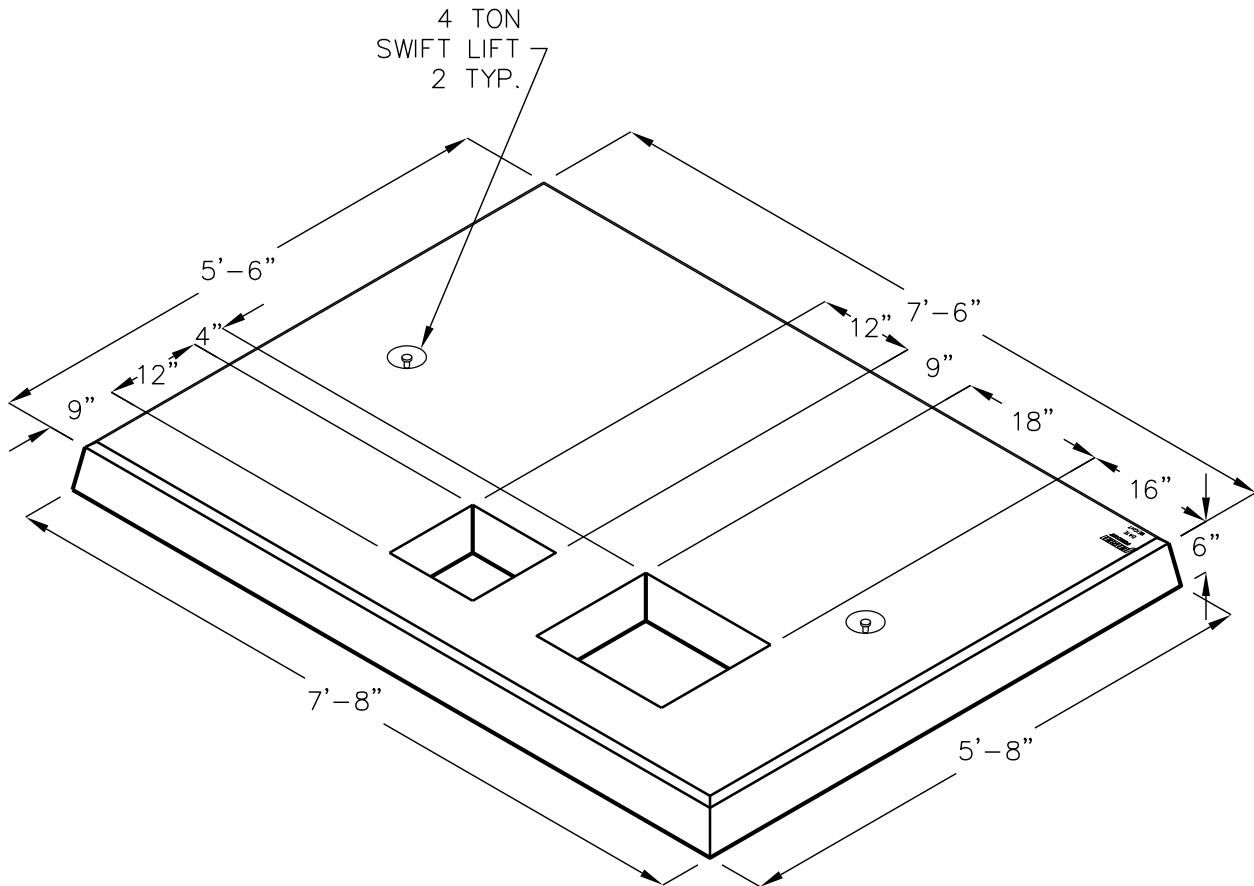


6690 TRANSFORMER PAD

SALT RIVER PROJECT
0 - 500 KVA

APPROX. WEIGHT: 3000 LBS.



FOR COMPLETE DESIGN
AND PRODUCT INFORMATION
CONTACT JENSEN PRECAST.