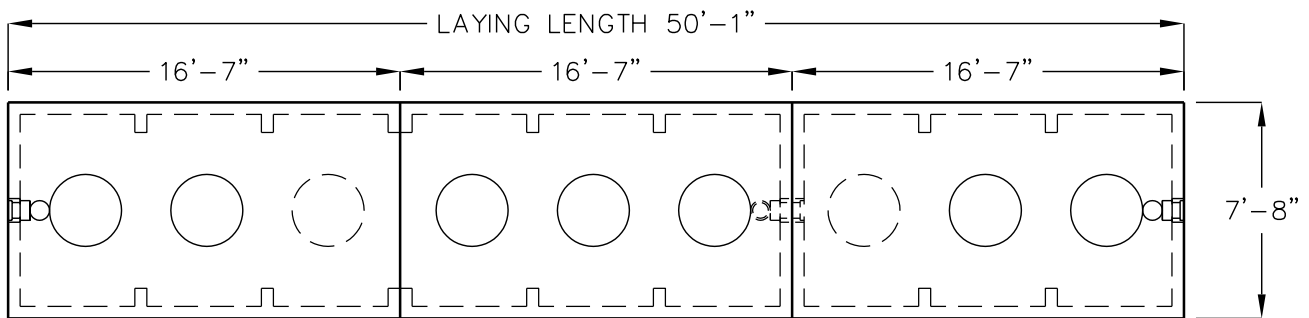
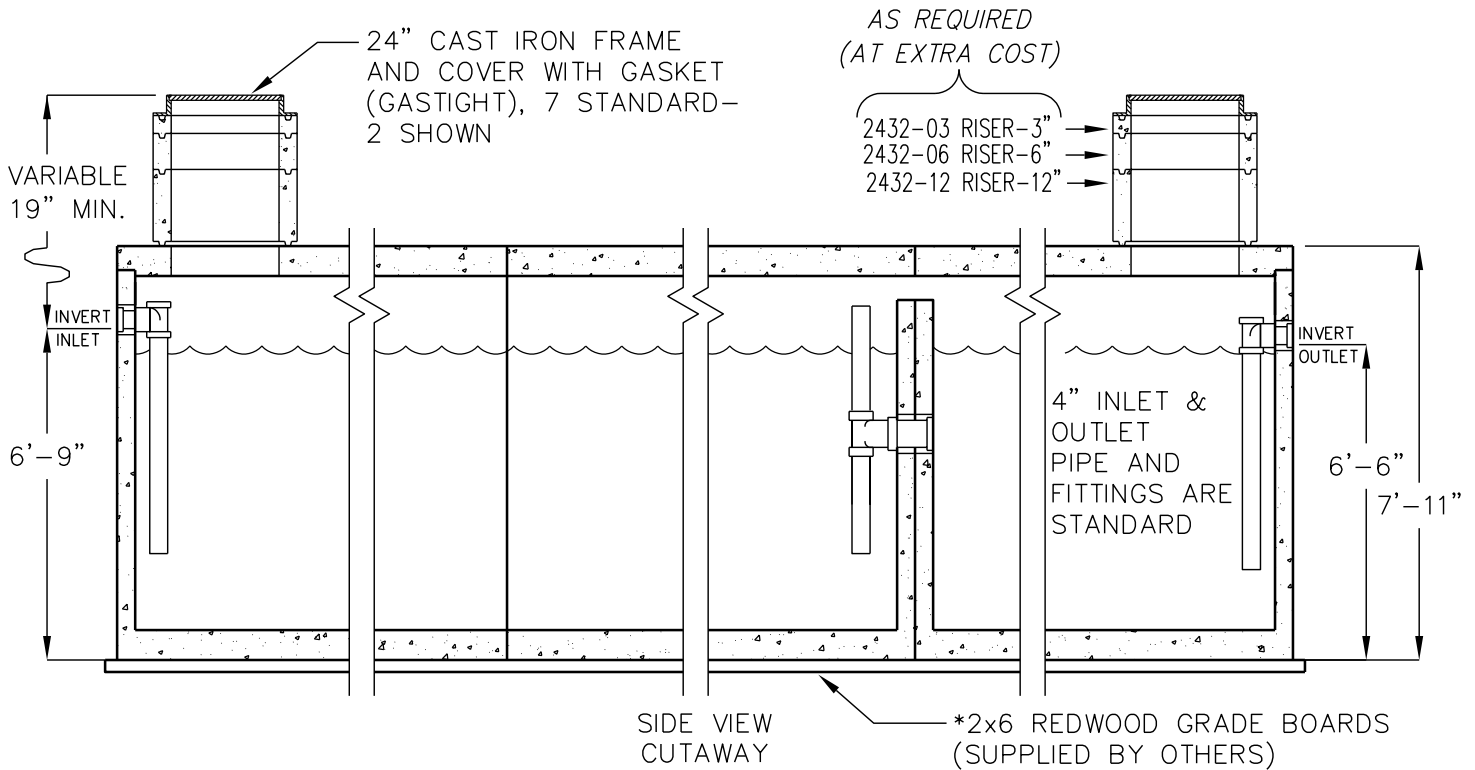


15,000 GALLON BATTERY GREASE INTERCEPTOR

MODEL 3XJZ5000-G



○ = RECOMMENDED
RISER/CAST IRON
COVER LOCATIONS

○ = OPTIONAL
RISER/CAST IRON
COVER LOCATIONS

NOTE: DISTANCE BETWEEN
ACCESS OPENINGS DOES
NOT EXCEED 10'.

FOR INSTALLATION INSTRUCTIONS,
DESIGN AND PRODUCT INFORMATION,
CONTACT JENSEN PRECAST.

LIQUID CAPACITY: 15,000 GALLONS.

BOX DESIGN LOAD: H-20 TRAFFIC FROM
1' TO 4' OF SOIL COVER.