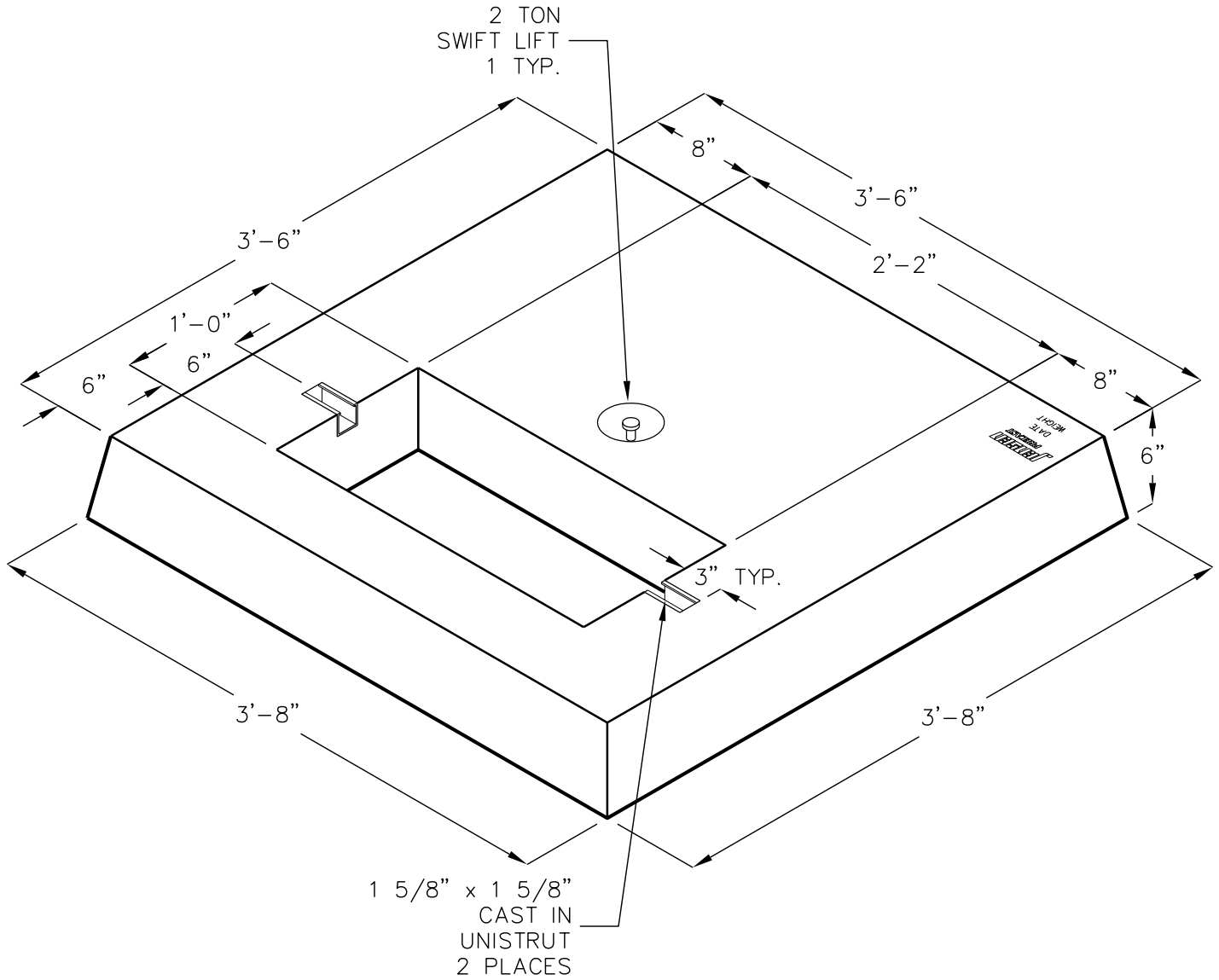


4242 TRANSFORMER PAD

ARIZONA PUBLIC SERVICE
25-50 KVA

APPROX. WEIGHT: 800 LBS.



FOR COMPLETE DESIGN
AND PRODUCT INFORMATION
CONTACT JENSEN PRECAST.