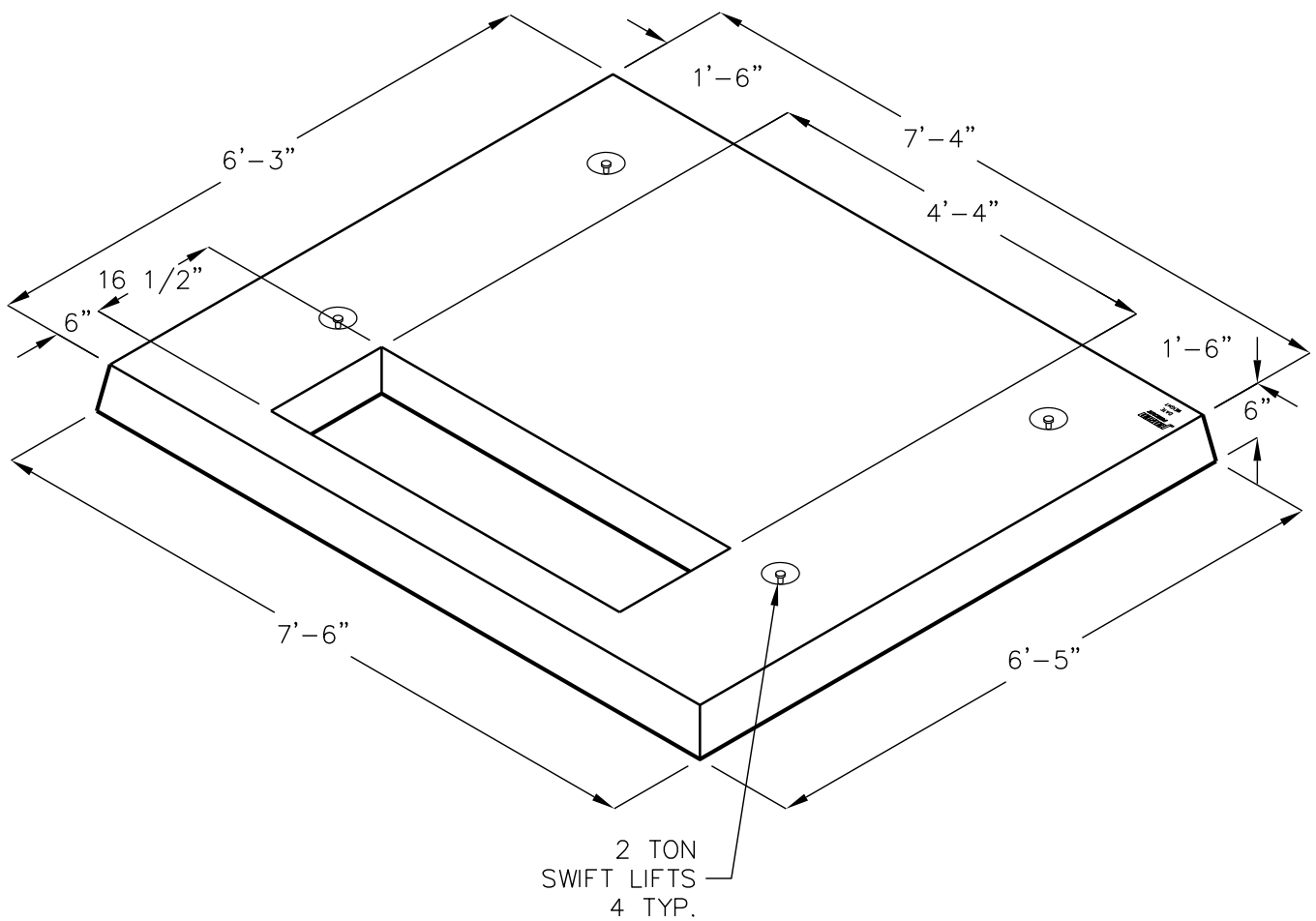


# 7588 TRANSFORMER PAD

ARIZONA PUBLIC SERVICE  
112.5-750 KVA

APPROX. WEIGHT: 3080 LBS.



FOR COMPLETE DESIGN  
AND PRODUCT INFORMATION  
CONTACT JENSEN PRECAST.