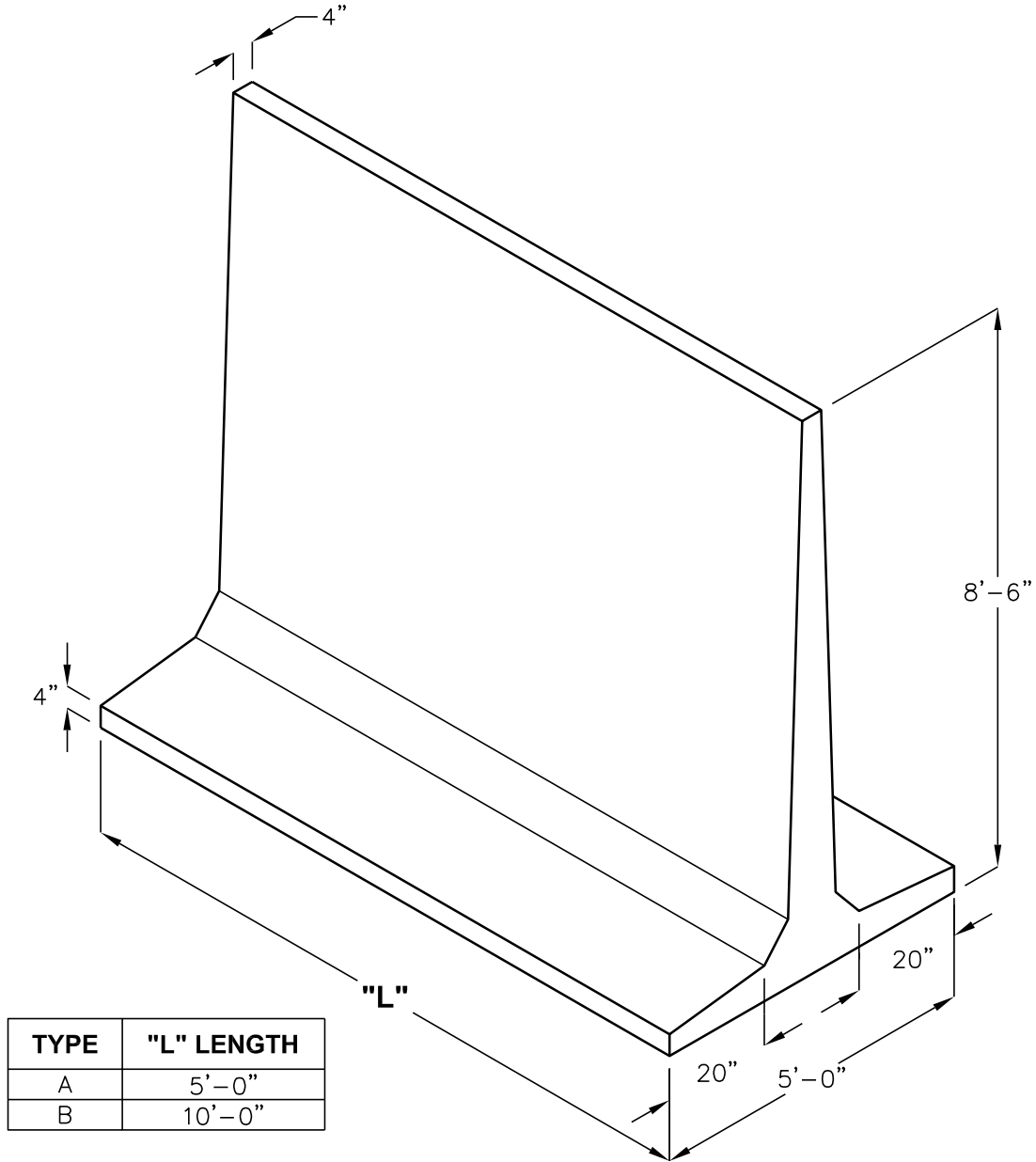


"T" PANEL

TYPE A & B



APPLICATIONS:

- MATERIAL STORAGE
- AGGREGATES
- REFUSE TRANSFER
- RECYCLING
- SOUND & BARRIER WALLS
- FENCING
- AGRICULTURAL CONTAINMENT
- SILAGE STORAGE
- MANURE PITS

Jensen Precast reserves the right to make changes to product design and/or dimensions without notice. Please contact Jensen Precast whenever necessary for confirmation or advice on product design.

JENSEN
PRECAST